

PALM CITY IRONWORKS

WROUGHT IRON DOORS (IN SWING/OUT SWING) (WZ3)(IMPACT)



PALM CITY IRONWORKS
3160 KUTAK RD.
FORT MYERS, FL 33916

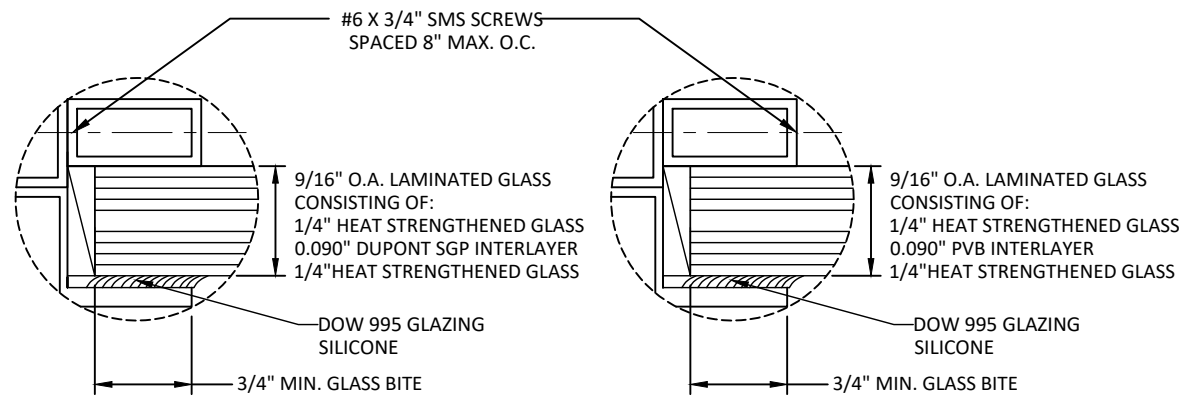
PH: (239) 691-8400 FX: (239) 277-0061

GENERAL NOTES:

- THE PRODUCT SHOWN HEREIN IS DESIGNED AND MANUFACTURED TO COMPLY WITH THE CURRENT FLORIDA BUILDING CODE (FBC), CURRENT INTERNATIONAL BUILDING CODE AND CURRENT INTERNATIONAL RESIDENTIAL CODE EXCLUDING HVHZ AND HAS BEEN EVALUATED ACCORDING TO THE FOLLOWING:
 - TAS 201-94
 - TAS 202-94
 - TAS 203-94
- ADEQUACY OF THE EXISTING STRUCTURAL CONCRETE/MASONRY, 2X AND METAL STUD FRAMING AS A MAIN WIND FORCE RESISTING SYSTEM CAPABLE OF WITHSTANDING AND TRANSFERRING APPLIED PRODUCT LOADS TO THE FOUNDATION IS THE RESPONSIBILITY OF THE ENGINEER OR ARCHITECT OF RECORD FOR THE PROJECT OF INSTALLATION.
- 1X AND 2X BUCKS (WHEN USED) SHALL BE DESIGNED AND ANCHORED TO PROPERLY TRANSFER ALL LOADS TO THE STRUCTURE. BUCK DESIGN AND INSTALLATION IS THE RESPONSIBILITY OF THE ENGINEER OR ARCHITECT OF RECORD FOR THE PROJECT OF INSTALLATION.
- THE INSTALLATION DETAILS DESCRIBED HEREIN ARE GENERIC AND MAY NOT REFLECT ACTUAL CONDITIONS FOR A SPECIFIC SITE. IF SITE CONDITIONS CAUSE INSTALLATION TO DEVIATE FROM THE REQUIREMENTS DETAILED HEREIN, A LICENSED ENGINEER OR ARCHITECT SHALL PREPARE SITE SPECIFIC DOCUMENTS FOR USE WITH THIS DOCUMENT.
- APPROVED IMPACT PROTECTIVE SYSTEM IS **NOT REQUIRED** TO PROTECT THIS PRODUCT IN AREAS REQUIRING IMPACT RESISTANCE ON WIND ZONE 3 OR LESS
- APPROVED IMPACT PROTECTIVE SYSTEM IS **REQUIRED** TO PROTECT THIS PRODUCT IN AREAS REQUIRING IMPACT RESISTANCE ON WIND ZONE 4
- DOOR FRAME MATERIAL: Q235 GRADE STEEL
Fy min= 34.1 KSI
Fu min= 54.4 KSI
- GLASS MEETS THE REQUIREMENTS OF ASTM E1300 GLASS CHARTS. SEE SHEET 1 FOR GLAZING DETAILS.
- DESIGNATIONS "X" AND "O" STAND FOR THE FOLLOWING:
X: OPERABLE PANEL
O: FIXED PANEL
- STEEL COMPONENTS SHALL BE COATED OR PROVIDED WITH CORROSION RESISTANCE PROTECTION IN CONFORMANCE WITH THE MATERIAL PROTECTION PROVISIONS OF FBC SECTION 2220.
- IRON WORK SUCH AS DECORATIVE GRILLES, ETC. IS NOT PART OF THIS APPROVAL.

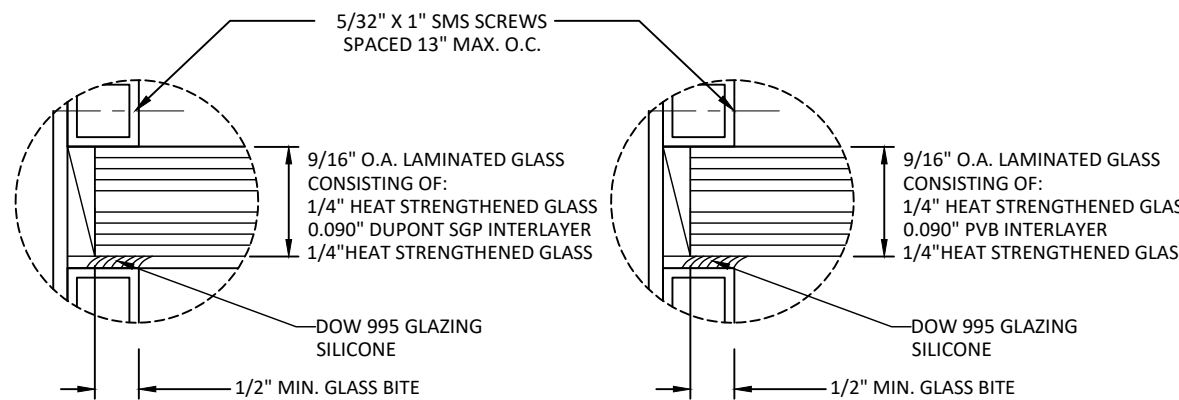
DESIGN PRESSURE RATING	
DESIGN PRESSURE - ALL SIZES	MISSILE IMPACT RATING
+70 / -70 PSF*	LARGE & SMALL MISSILE IMPACT RATED

1) UNITS MEET WATER INFILTRATION REQUIREMENTS AT WATER TEST PRESSURE OF 10.5 PSF.



GLAZING DETAIL A
MAXIMUM GLASS AREA 23.12 SQFT

GLAZING DETAIL C
MAXIMUM GLASS AREA 18.88 SQFT



GLAZING DETAIL B
MAXIMUM GLASS AREA 23.12 SQFT

GLAZING DETAIL D
MAXIMUM GLASS AREA 18.88 SQFT

TABLE OF CONTENTS		
SHEET	REVISION	SHEET DESCRIPTION
1	-	GENERAL NOTES & GLAZING DETAILS
2	-	ELEVATION AND ANCHOR LAYOUT
3	-	ELEVATION AND ANCHOR LAYOUT
4	-	ELEVATION AND ANCHOR LAYOUT
5	-	ELEVATION AND ANCHOR LAYOUT
6	-	ELEVATION AND ANCHOR LAYOUT
7	-	ELEVATION AND ANCHOR LAYOUT
8	-	ELEVATION AND ANCHOR LAYOUT
9	-	ELEVATION AND ANCHOR LAYOUT
10	-	ELEVATION AND ANCHOR LAYOUT
11	-	VERTICAL SECTIONS(OUTSWING)
12	-	VERTICAL SECTIONS(OUTSWING)
13	-	VERTICAL SECTIONS(IN SWING)
14	-	VERTICAL SECTIONS(IN SWING)
15	-	VERTICAL SECTIONS(IN SWING)
16	-	HORIZONTAL SECTIONS (OUTSWING)
17	-	HORIZONTAL SECTIONS (OUTSWING)
18	-	HORIZONTAL SECTIONS (IN SWING)
19	-	HORIZONTAL SECTIONS (MULLION)
20	-	INSTALLATION DETAILS & NOTES
21	-	COMPONENTS & BILL OF MATERIALS
22	-	COMPONENTS (CONTINUED)
23	-	QUALIFIED CONFIGURATIONS

- GLAZING NOTES:**
- GLASS TYPE AND THICKNESS SHALL COMPLY WITH ASTM E1300 REQUIREMENTS AS WELL AS APPLICABLE SAFETY GLAZING REQUIREMENTS PER THE FBC. THICKNESS, TEMPER, AND SAFETY GLAZING REQUIREMENTS SHALL BE REVIEWED ON A SITE SPECIFIC BASIS.
 - SETTING BLOCK DUROMETER HARDNESS OF 70-90 (SHORE A) AS REFERENCED IN FBC CHAPTER 24. SETTING BLOCKS TO BE LOCATED AT 1/4 SPAN LENGTH FOR GLASS WIDER THAN 36" AS PER FBC CHAPTER 24.
 - D.L.O. AND DESIGN PRESSURES MAY NOT EXCEED MAX VALUES SHOWN HEREIN.

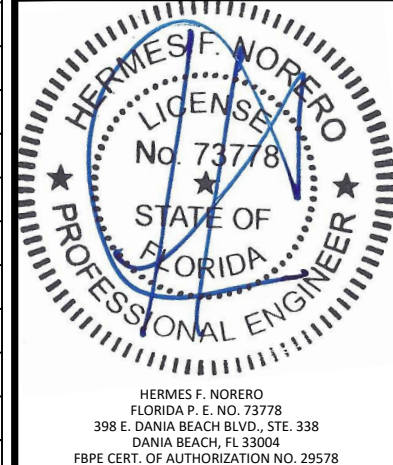
TITLE: WROUGHT IRON DOORS
(IN SWING/OUT SWING)
(WZ3)(IMPACT)

GENERAL NOTES & GLAZING DETAILS

PREPARED BY: BUILDING DROPS, INC.
398 E. DANIA BEACH BLVD., STE. 338
DANIA BEACH, FL 33004
PH: (954) 399-8478
FAX: (954) 744-4738
WEB: www.buildingdrops.com

REMARKS	BY	DATE

THE INSTALLATION DETAILS DESCRIBED HEREIN ARE GENERIC AND MAY NOT REFLECT ACTUAL CONDITIONS FOR A SPECIFIC SITE. IF SITE CONDITIONS CAUSE INSTALLATION TO DEVIATE FROM THE REQUIREMENTS DETAILED HEREIN, A LICENSED ENGINEER OR ARCHITECT SHALL PREPARE SITE SPECIFIC DOCUMENTS FOR USE WITH THIS DOCUMENT



FL16749

DATE: 03.21.19

DWG. BY: YC CHK. BY: HFN

SCALE: NTS

DWG. #: PCI014

SHEET:

1



PALM CITY IRONWORKS
3160 KUTAK RD.
FORT MYERS, FL 33916

PH: (239) 691-8400 FX: (239)277-0061

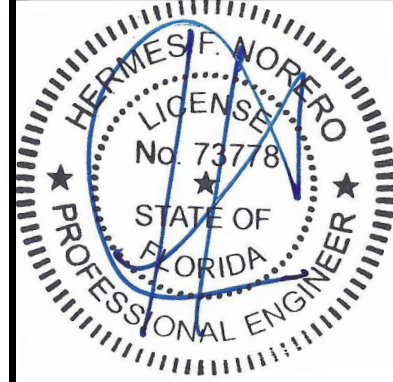
TITLE: **WROUGHT IRON DOORS
(INSWING/OUTSWING)
(WZ3)/(IMPACT)**
ELEVATION AND
ANCHOR LAYOUT

PREPARED BY: **BUILDING DROPS, INC.**
398 E. DANIA BEACH BLVD., STE. 338
DANIA BEACH, FL 33004
PH: (954) 959-8478
FAX: (954) 744-4738
WEB: www.buildingdrops.com



REMARKS	BY	DATE

THE INSTALLATION DETAILS DESCRIBED HEREIN ARE GENERIC AND MAY NOT REFLECT ACTUAL CONDITIONS FOR A SPECIFIC SITE. IF SITE CONDITIONS CAUSE INSTALLATION TO DEVIATE FROM THE REQUIREMENTS DETAILED HEREIN, A LICENSED ENGINEER OR ARCHITECT SHALL PREPARE SITE SPECIFIC DOCUMENTS FOR USE WITH THIS DOCUMENT



HERMES F. NORERO
FLORIDA P. E. NO. 73778
398 E. DANIA BEACH BLVD., STE. 338
DANIA BEACH, FL 33004
FBPE CERT. OF AUTHORIZATION NO. 29578

FL16749

DATE: **03.21.19**

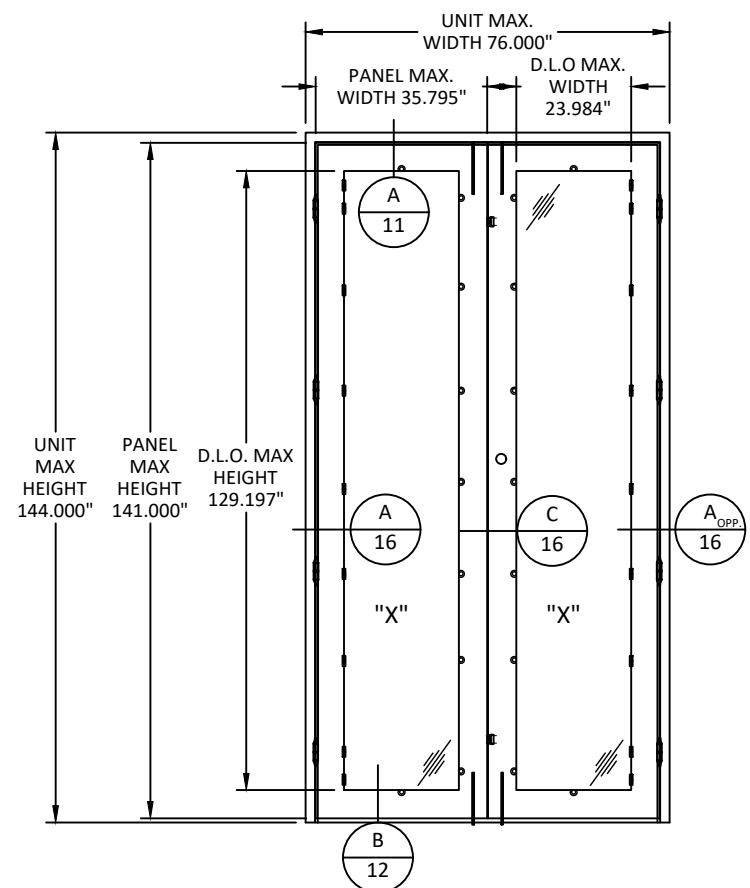
DWG. BY: **YC** | CHK. BY: **HFN**

SCALE: **NTS**

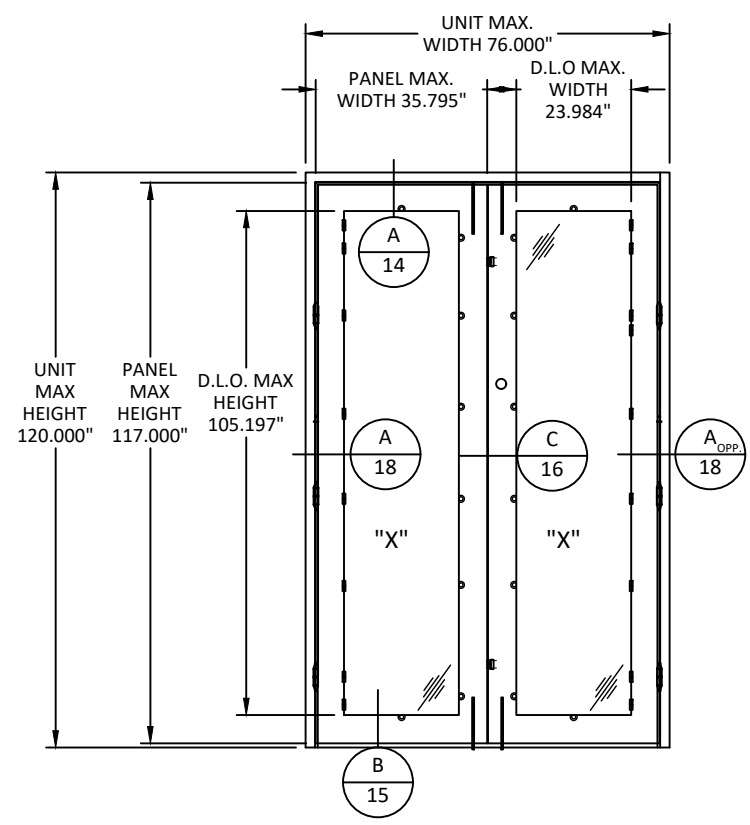
DWG. #: **PCI014**

SHEET: **2**

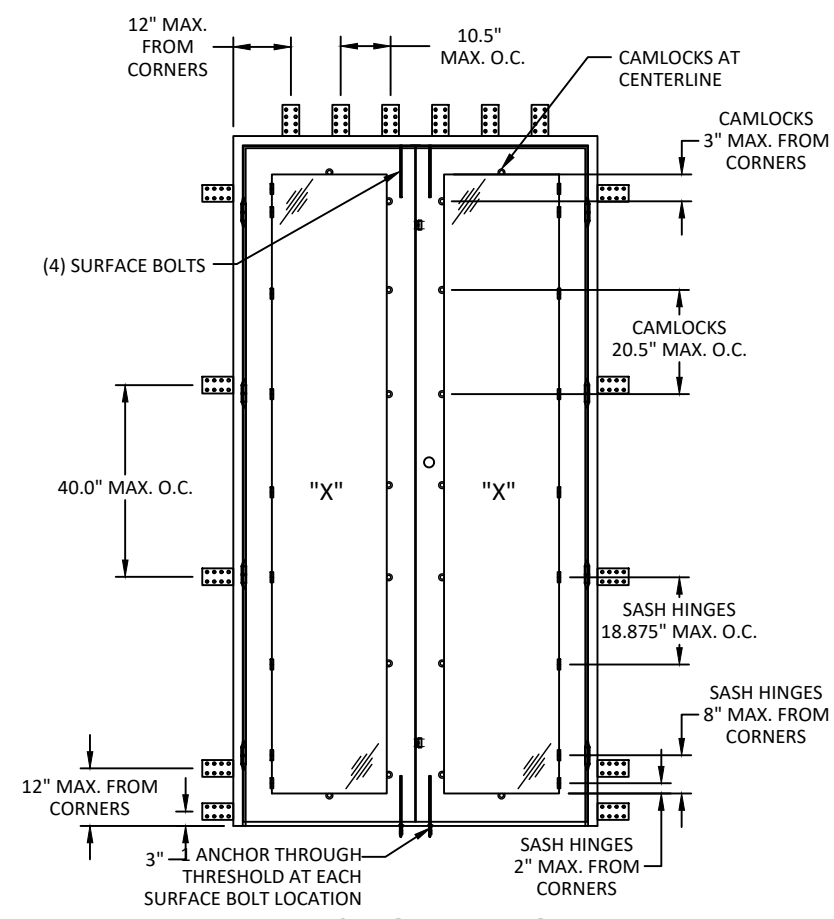
OF 23



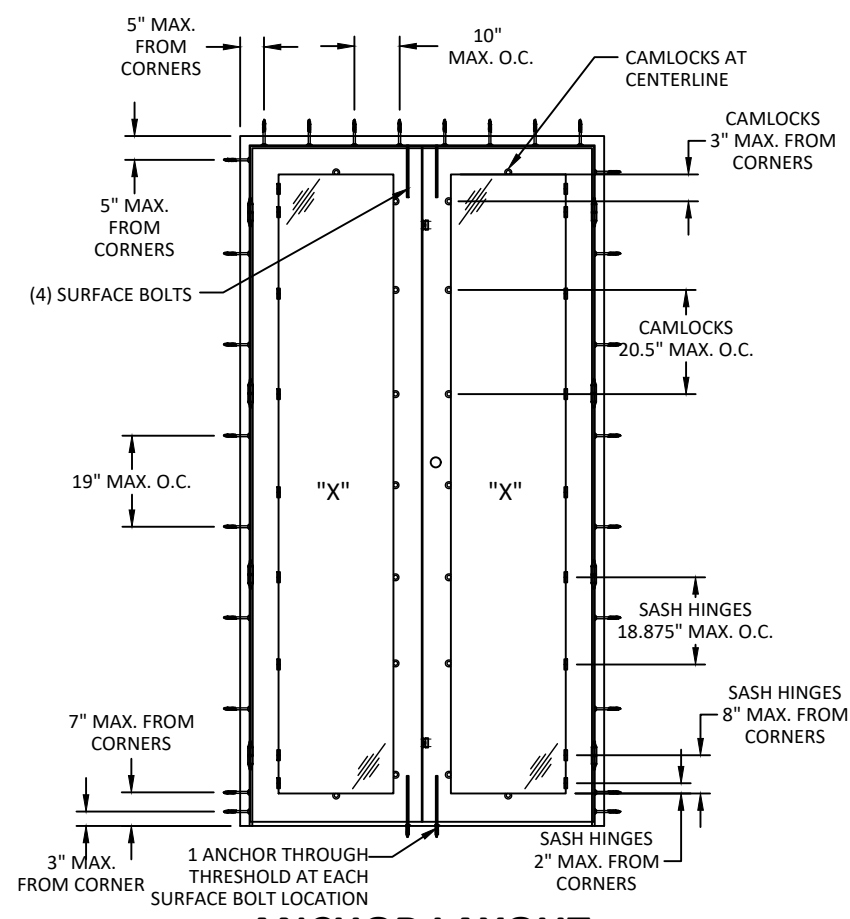
ELEVATION(OUTSWING)



ELEVATION(INSWING)

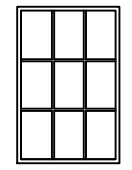


**ANCHOR LAYOUT
MOUNTING TAB INSTALLATION**



**ANCHOR LAYOUT
THROUGH FRAME INSTALLATION**

- HARDWARE NOTES FOR INSWING/OUTSWING DOOR :**
1. EACH ACTIVE PANEL SHALL UTILIZE THREE (3) 6" X 1" STEEL BARREL HINGES BY NATURAL CHOICE IRONWARE.
 2. HINGES ARE TO BE LOCATED AT 14.5" FROM BOTTOM OF DOOR AND 41.50" MAX. O.C. THEREAFTER.
 3. CAM LOCKS AND SASH HINGES ARE TO BE LOCATED AS SHOWN ON ANCHOR LAYOUT AT RIGHT.



SIMULATED DIVIDED LITE
ALSO QUALIFIED

8/19/2020 9:47 PM

c:\users\crux\onedrive - building drops, inc\palmcity\iron door\fl16749\wz3\impact\pci014.dwg



PALM CITY IRONWORKS
 3160 KUTAK RD.
 FORT MYERS, FL 33916

PH: (239) 691-8400 FX: (239)277-0061

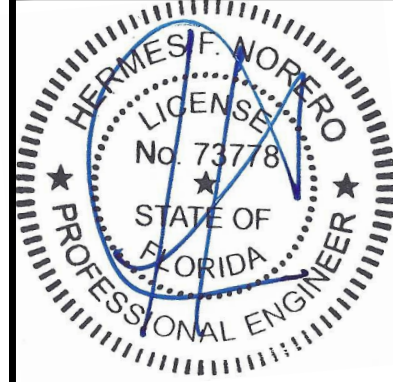
TITLE: **WROUGHT IRON DOORS
 (INSWING/OUTSWING)
 (WZ3)/(IMPACT)**
 ELEVATION AND
 ANCHOR LAYOUT

PREPARED BY:
BUILDING DROPS, INC.
 398 E. DANIA BEACH BLVD., STE. 338
 DANIA BEACH, FL 33004
 PH: (954) 959-8478
 FAX: (954) 744-4738
 WEB: www.buildingdrops.com



REMARKS	BY	DATE

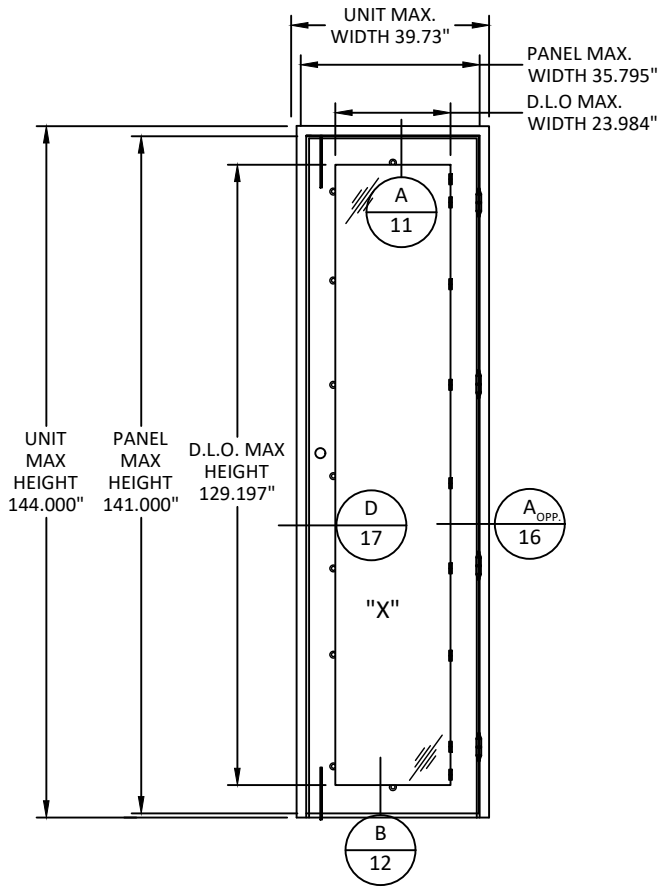
THE INSTALLATION DETAILS DESCRIBED HEREIN ARE GENERIC AND MAY NOT REFLECT ACTUAL CONDITIONS FOR A SPECIFIC SITE. IF SITE CONDITIONS CAUSE INSTALLATION TO DEVIATE FROM THE REQUIREMENTS DETAILED HEREIN, A LICENSED ENGINEER OR ARCHITECT SHALL PREPARE SITE SPECIFIC DOCUMENTS FOR USE WITH THIS DOCUMENT



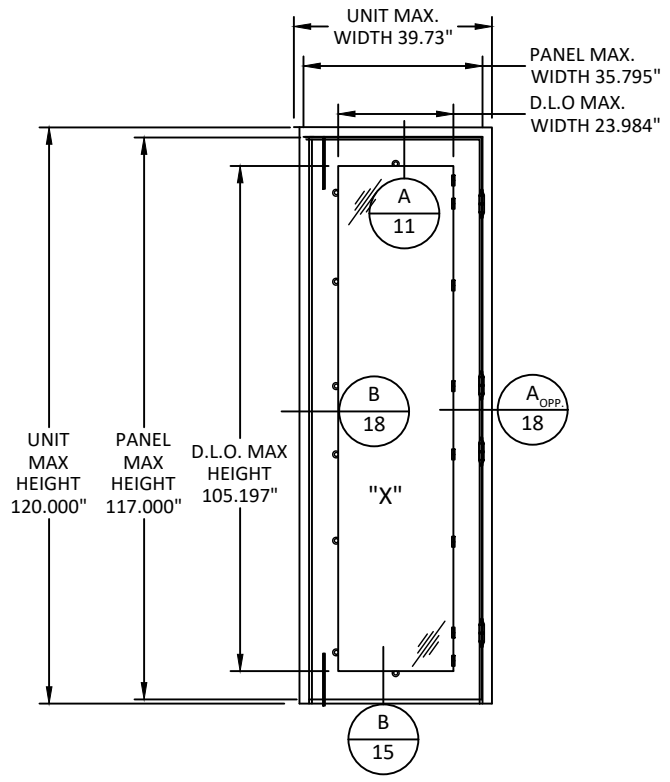
HERMES F. NORERO
 FLORIDA P. E. NO. 73778
 398 E. DANIA BEACH BLVD., STE. 338
 DANIA BEACH, FL 33004
 FBPE CERT. OF AUTHORIZATION NO. 29578

FL16749

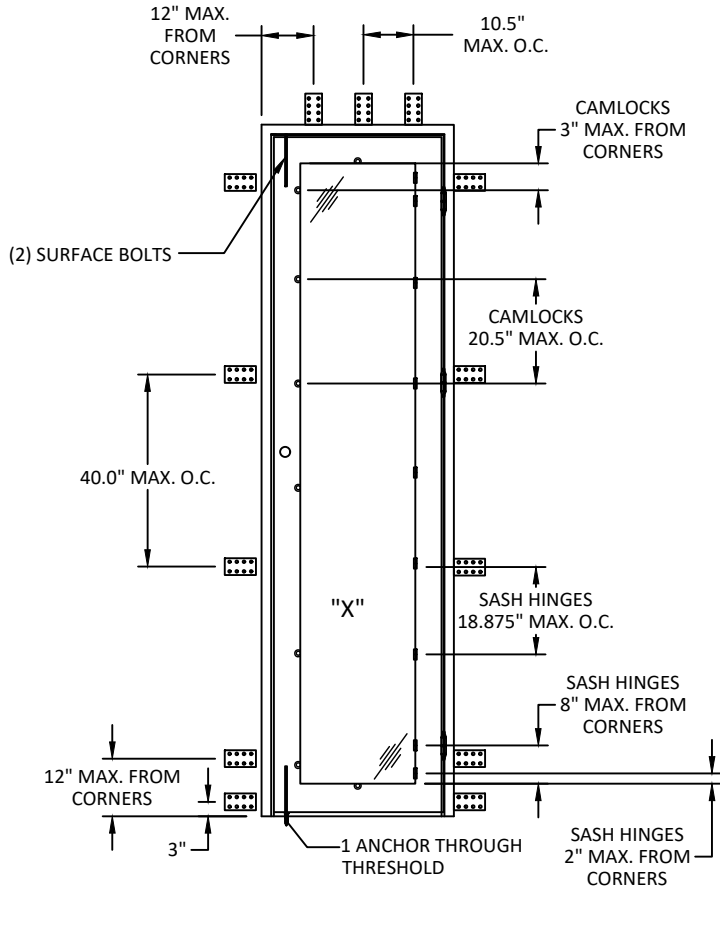
DATE:	03.21.19
DWG. BY:	YC
CHK. BY:	HFN
SCALE:	NTS
DWG. #:	PCI014
SHEET:	3



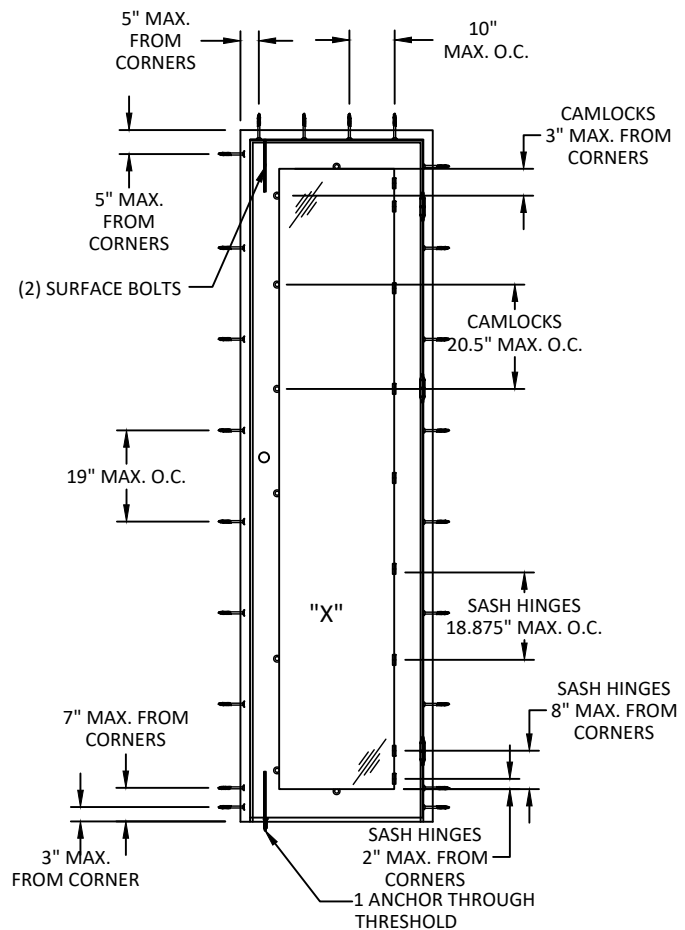
ELEVATION(OUTSWING)



ELEVATION(INSWING)

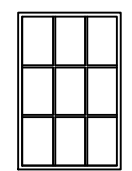


**ANCHOR LAYOUT
 MOUNTING TAB INSTALLATION**



**ANCHOR LAYOUT
 THROUGH FRAME INSTALLATION**

- HARDWARE NOTES FOR INSWING/OUTSWING DOOR :
1. EACH ACTIVE PANEL SHALL UTILIZE THREE (3) 6" X 1" STEEL BARREL HINGES BY NATURAL CHOICE IRONWARE.
 2. HINGES ARE TO BE LOCATED AT 14.5" FROM BOTTOM OF DOOR AND 41.50" MAX. O.C. THEREAFTER.
 3. CAM LOCKS AND SASH HINGES ARE TO BE LOCATED AS SHOWN ON ANCHOR LAYOUT AT RIGHT.



SIMULATED DIVIDED LITE
 ALSO QUALIFIED

8/19/2020 9:47 PM
 c:\users\crux\onedrive - building drops - inc\palmcity\iron door\fl16749\wz3.impact\pci014.dwg



PALM CITY IRONWORKS
3160 KUTAK RD.
FORT MYERS, FL 33916

PH: (239) 691-8400 FX: (239)277-0061

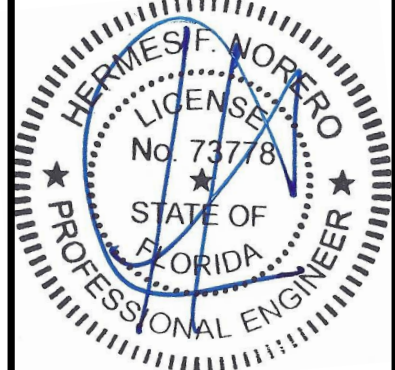
TITLE: WROUGHT IRON DOORS
(INSWING/OUTSWING)
(WZ3)(IMPACT)
ELEVATION AND
ANCHOR LAYOUT

PREPARED BY: BUILDING DROPS, INC.
398 E. DANIA BEACH BLVD., STE. 338
DANIA BEACH, FL 33004
PH: (954)399-8478
FAX: (954)744-4738
WEB: www.buildingdrops.com



REMARKS	BY	DATE

THE INSTALLATION DETAILS DESCRIBED HEREIN ARE GENERIC AND MAY NOT REFLECT ACTUAL CONDITIONS FOR A SPECIFIC SITE. IF SITE CONDITIONS CAUSE INSTALLATION TO DEVIATE FROM THE REQUIREMENTS DETAILED HEREIN, A LICENSED ENGINEER OR ARCHITECT SHALL PREPARE SITE SPECIFIC DOCUMENTS FOR USE WITH THIS DOCUMENT



HERMES F. NORERO
FLORIDA P. E. NO. 73778
398 E. DANIA BEACH BLVD., STE. 338
DANIA BEACH, FL 33004
FBPE CERT. OF AUTHORIZATION NO. 29578

FL16749

DATE: 03.21.19

DWG. BY: YC CHK. BY: HFN

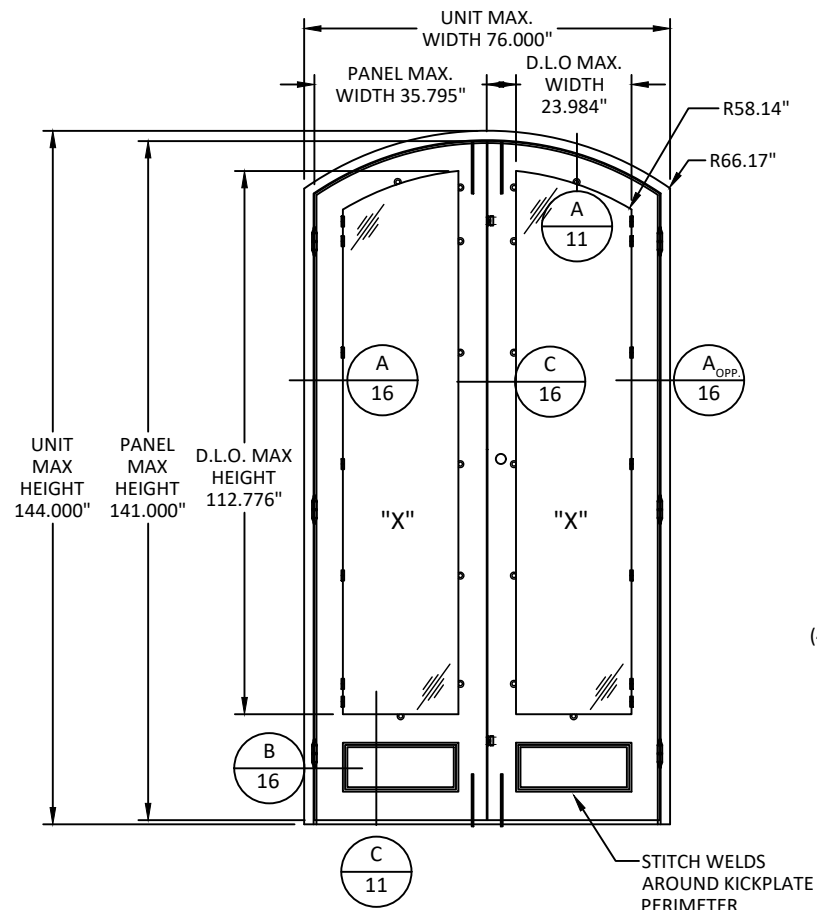
SCALE: NTS

DWG. #: PCI014

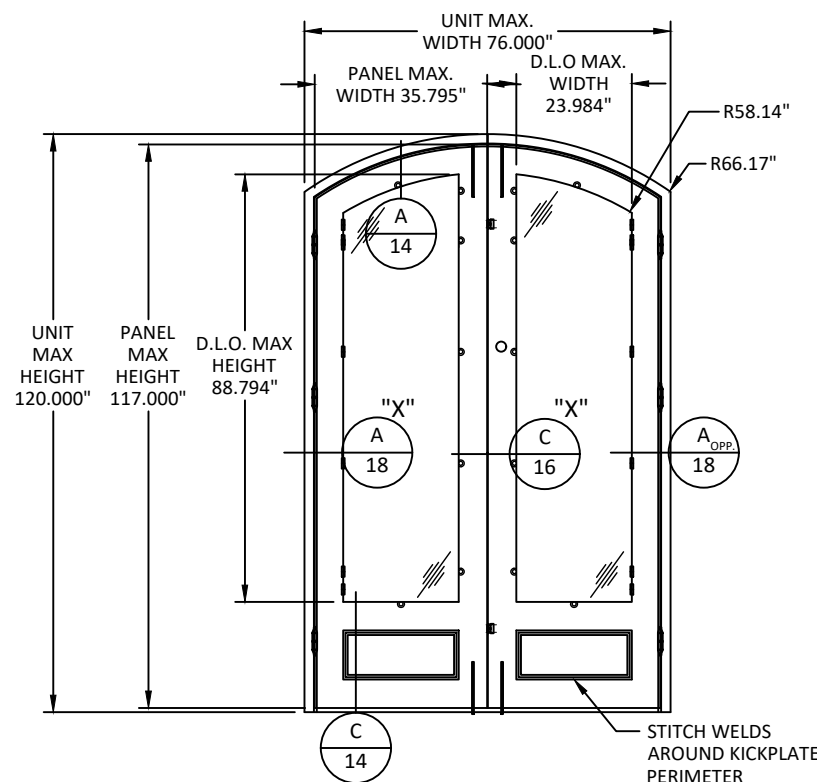
SHEET:

4

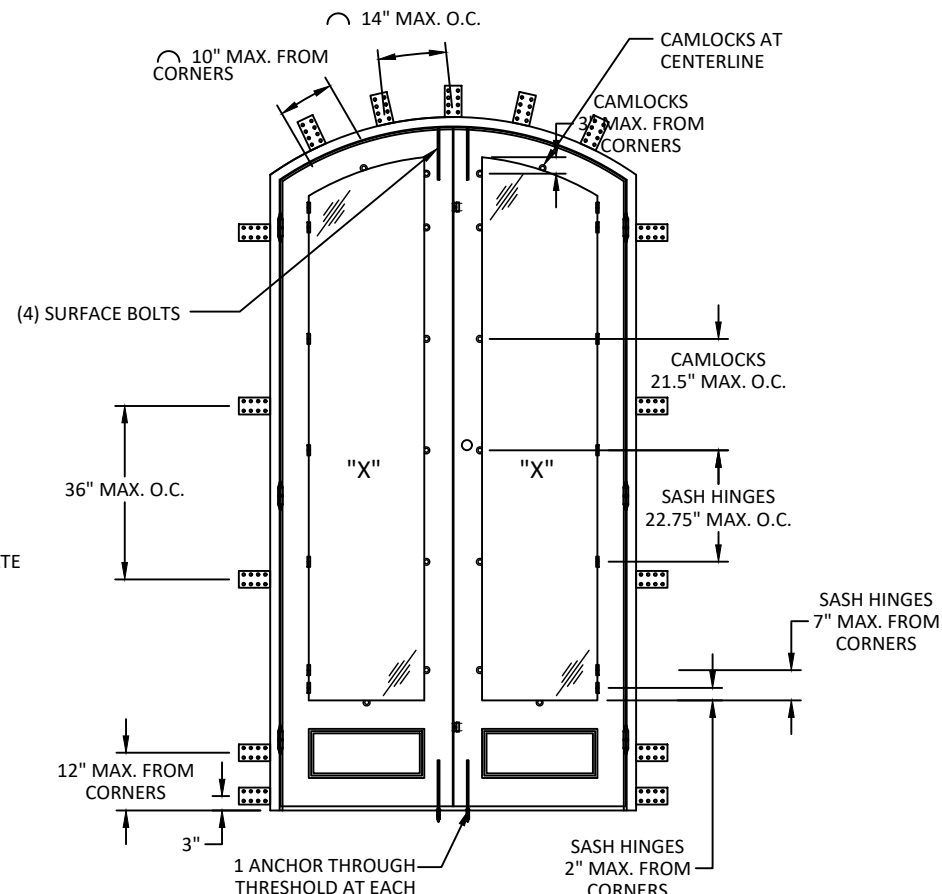
OF 23



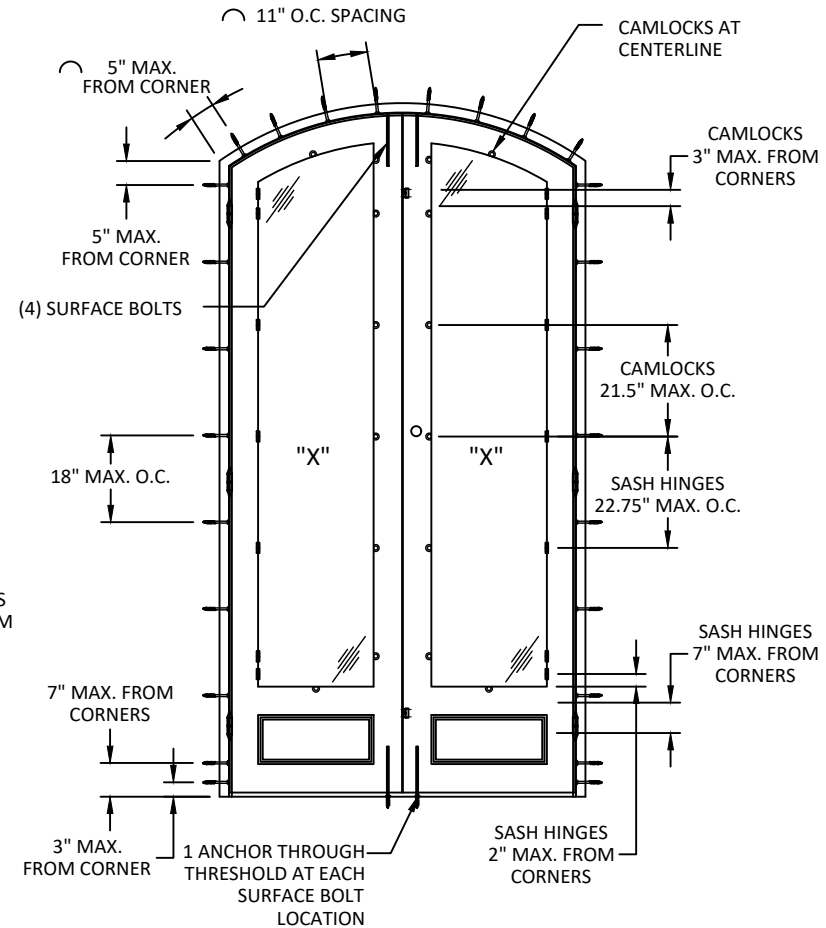
ELEVATION(OUTSWING)



ELEVATION(INSWING)

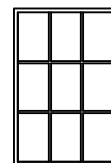


ANCHOR LAYOUT
MOUNTING TAB INSTALLATION



ANCHOR LAYOUT
THROUGH FRAME INSTALLATION

- HARDWARE NOTES FOR INSWING/OUTSWING DOOR :
1. EACH ACTIVE PANEL SHALL UTILIZE THREE (3) 6" X 1" STEEL BARREL HINGES BY NATURAL CHOICE IRONWARE.
 2. HINGES ARE TO BE LOCATED AT 14.5" FROM BOTTOM OF DOOR AND 41.50" MAX. O.C. THEREAFTER.
 3. CAM LOCKS AND SASH HINGES ARE TO BE LOCATED AS SHOWN ON ANCHOR LAYOUT AT RIGHT.



SIMULATED DIVIDED LITE
ALSO QUALIFIED



PALM CITY IRONWORKS
3160 KUTAK RD.
FORT MYERS, FL 33916

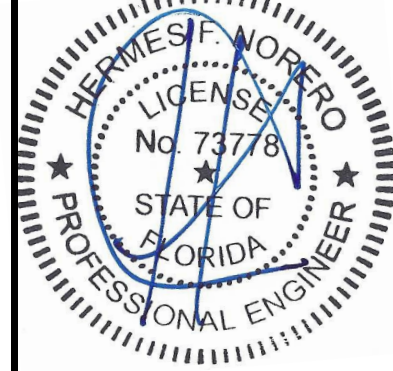
PH: (239) 691-8400 FX: (239)277-0061

TITLE: **WROUGHT IRON DOORS (INSWING/OUTSWING) (WZ3)(IMPACT) ELEVATION AND ANCHOR LAYOUT**

PREPARED BY: **BUILDING DROPS, INC.**
398 E. DANIA BEACH BLVD., STE. 338
DANIA BEACH, FL 33004
PH: (954) 399-8478
FAX: (954) 744-4738
WEB: www.buildingdrops.com

REMARKS	BY	DATE

THE INSTALLATION DETAILS DESCRIBED HEREIN ARE GENERIC AND MAY NOT REFLECT ACTUAL CONDITIONS FOR A SPECIFIC SITE. IF SITE CONDITIONS CAUSE INSTALLATION TO DEVIATE FROM THE REQUIREMENTS DETAILED HEREIN, A LICENSED ENGINEER OR ARCHITECT SHALL PREPARE SITE SPECIFIC DOCUMENTS FOR USE WITH THIS DOCUMENT



HERMES F. NORERO
FLORIDA P. E. NO. 73778
398 E. DANIA BEACH BLVD., STE. 338
DANIA BEACH, FL 33004
FBPE CERT. OF AUTHORIZATION NO. 29578

FL16749

DATE: **03.21.19**

DWG. BY: **YC** | CHK. BY: **HFN**

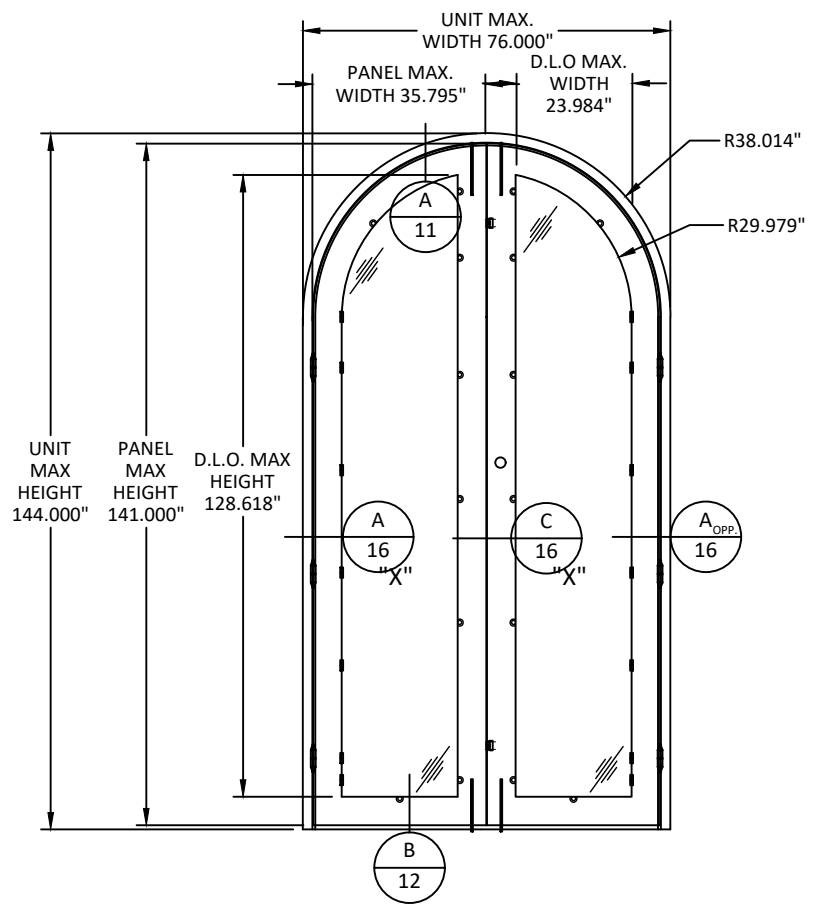
SCALE: **NTS**

DWG. #: **PCI014**

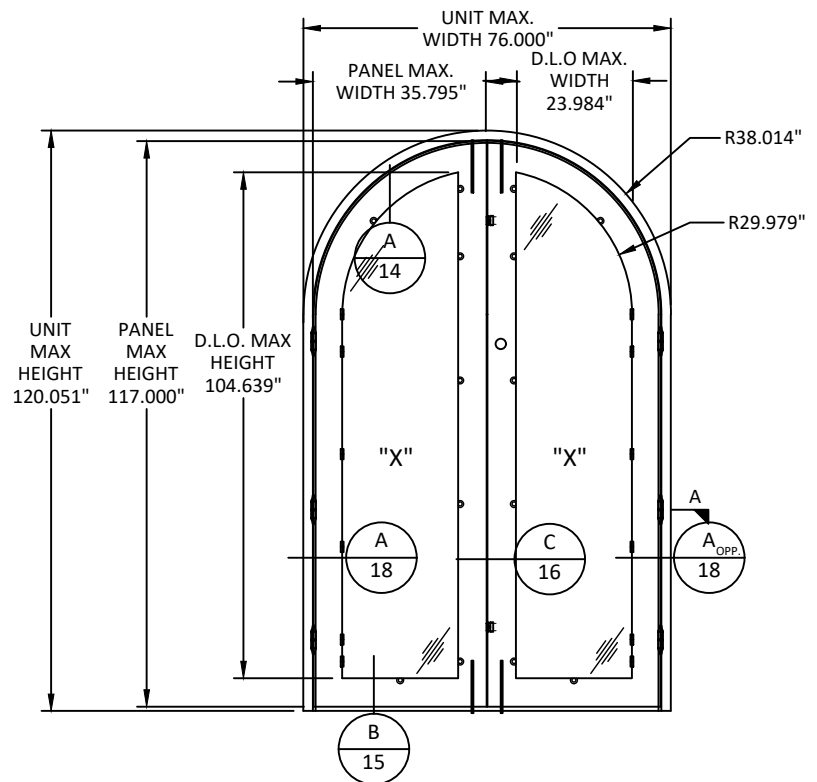
SHEET:

5

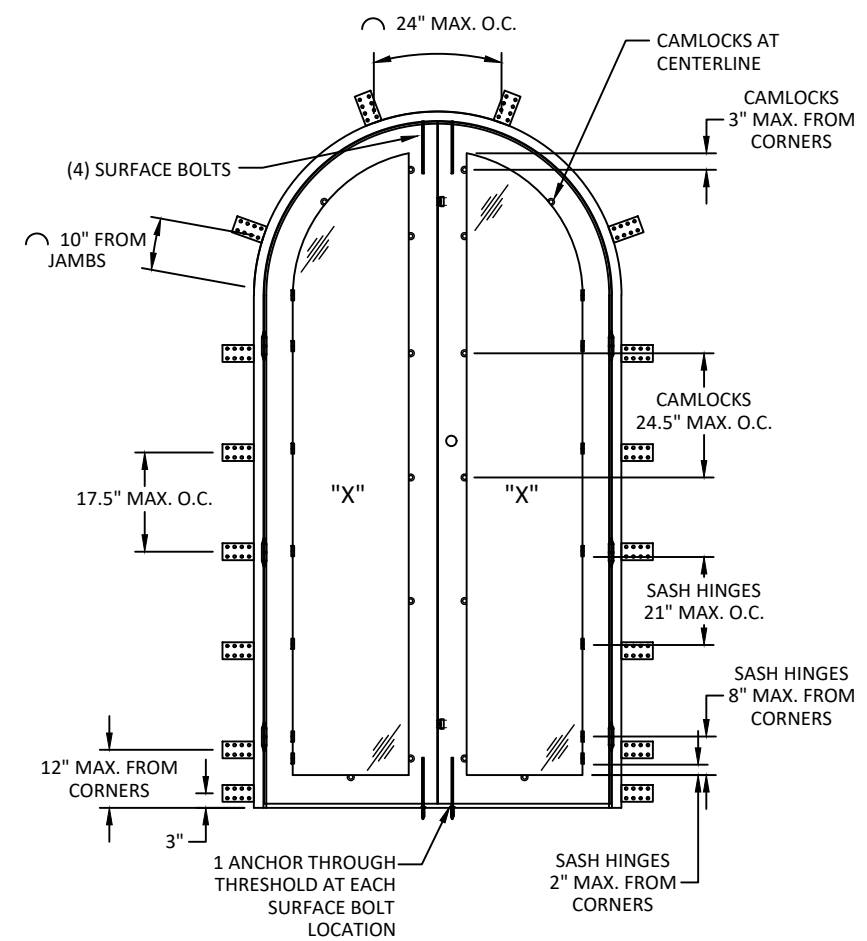
OF 23



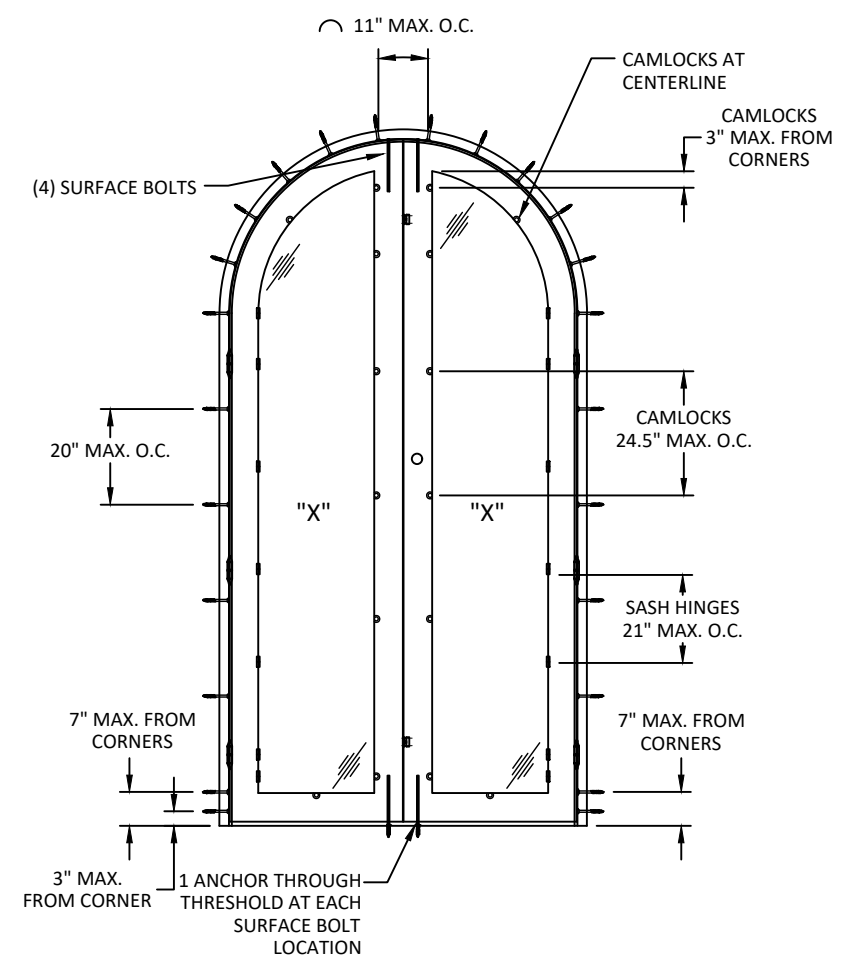
ELEVATION(OUTSWING)



ELEVATION(INSWING)

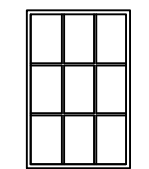


ANCHOR LAYOUT
MOUNTING TAB INSTALLATION



ANCHOR LAYOUT
THROUGH FRAME INSTALLATION

- HARDWARE NOTES FOR INSWING/OUTSWING DOOR :**
1. EACH ACTIVE PANEL SHALL UTILIZE THREE (3) 6" X 1" STEEL BARREL HINGES BY NATURAL CHOICE IRONWARE.
 2. HINGES ARE TO BE LOCATED AT 14.5" FROM BOTTOM OF DOOR AND 41.50" MAX. O.C. THEREAFTER.
 3. CAM LOCKS AND SASH HINGES ARE TO BE LOCATED AS SHOWN ON ANCHOR LAYOUT AT RIGHT.



SIMULATED DIVIDED LITE ALSO QUALIFIED

8/19/2020 9:47 PM

c:\users\kruz\onedrive - building drops, inc\palmcity\iron door\fl16749\wz3\impact\pci014.dwg



PALM CITY IRONWORKS
3160 KUTAK RD.
FORT MYERS, FL 33916

PH: (239) 691-8400 FX: (239)277-0061

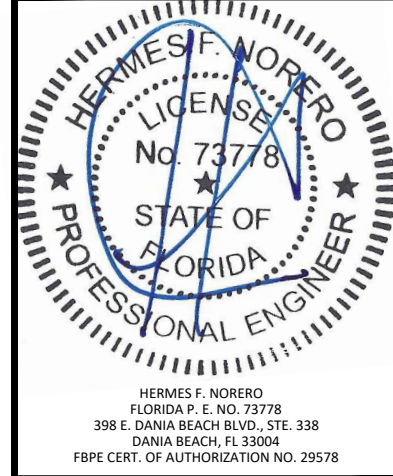
TITLE: **WROUGHT IRON DOORS
(INSWING/OUTSWING)
(WZ3)(IMPACT)
ELEVATION AND
ANCHOR LAYOUT**

PREPARED BY: **BUILDING DROPS, INC.**
398 E. DANIA BEACH BLVD., STE. 338
DANIA BEACH, FL 33004
PH: (954)399-8478
FAX: (954)744-4738
WEB: www.buildingdrops.com



REMARKS	BY	DATE

THE INSTALLATION DETAILS DESCRIBED HEREIN ARE GENERIC AND MAY NOT REFLECT ACTUAL CONDITIONS FOR A SPECIFIC SITE. IF SITE CONDITIONS CAUSE INSTALLATION TO DEVIATE FROM THE REQUIREMENTS DETAILED HEREIN, A LICENSED ENGINEER OR ARCHITECT SHALL PREPARE SITE SPECIFIC DOCUMENTS FOR USE WITH THIS DOCUMENT



FL16749

DATE: **03.21.19**

DWG. BY: **YC** CHK. BY: **HFN**

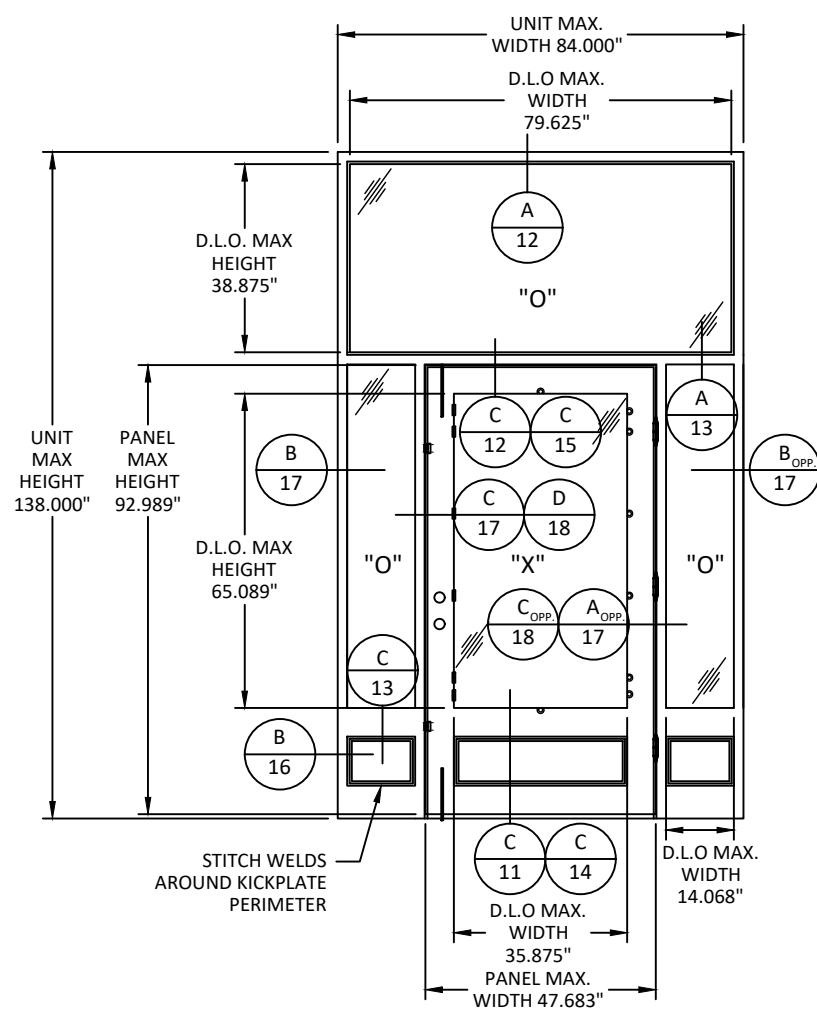
SCALE: **NTS**

DWG. #: **PCI014**

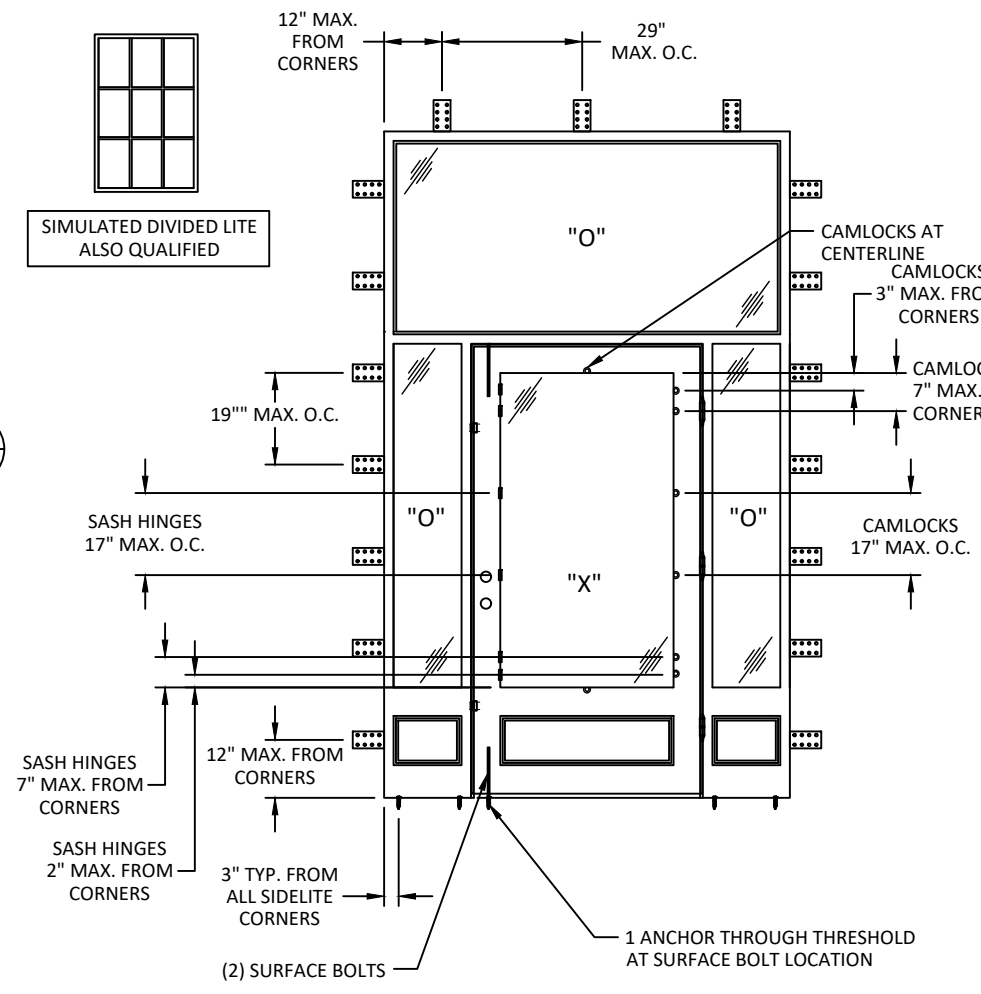
SHEET:

6

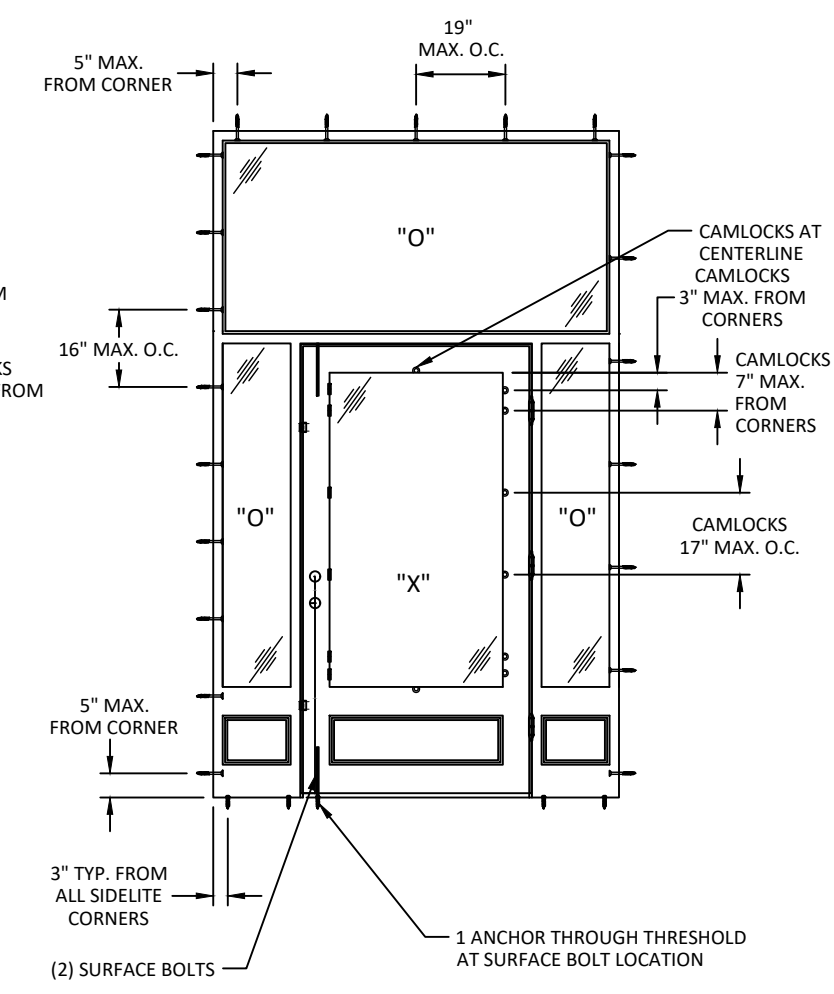
OF 23



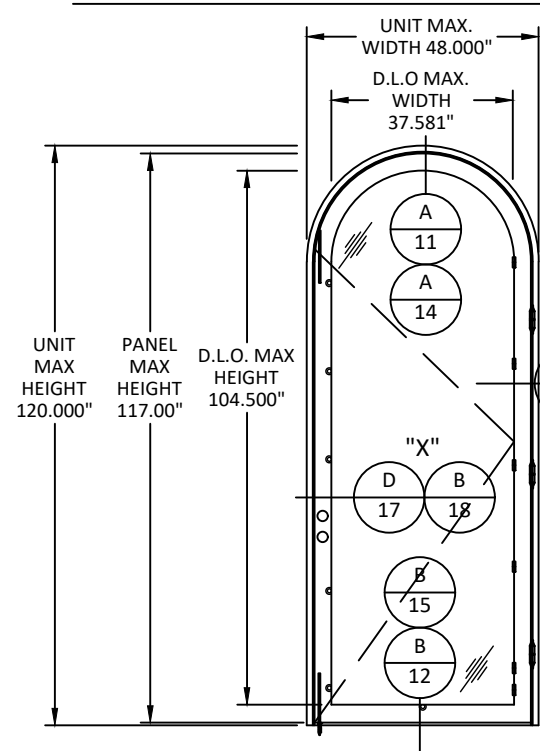
ELEVATION (INSWING/OUTSWING)



ANCHOR LAYOUT (INSWING/OUTSWING) MOUNTING TAB INSTALLATION

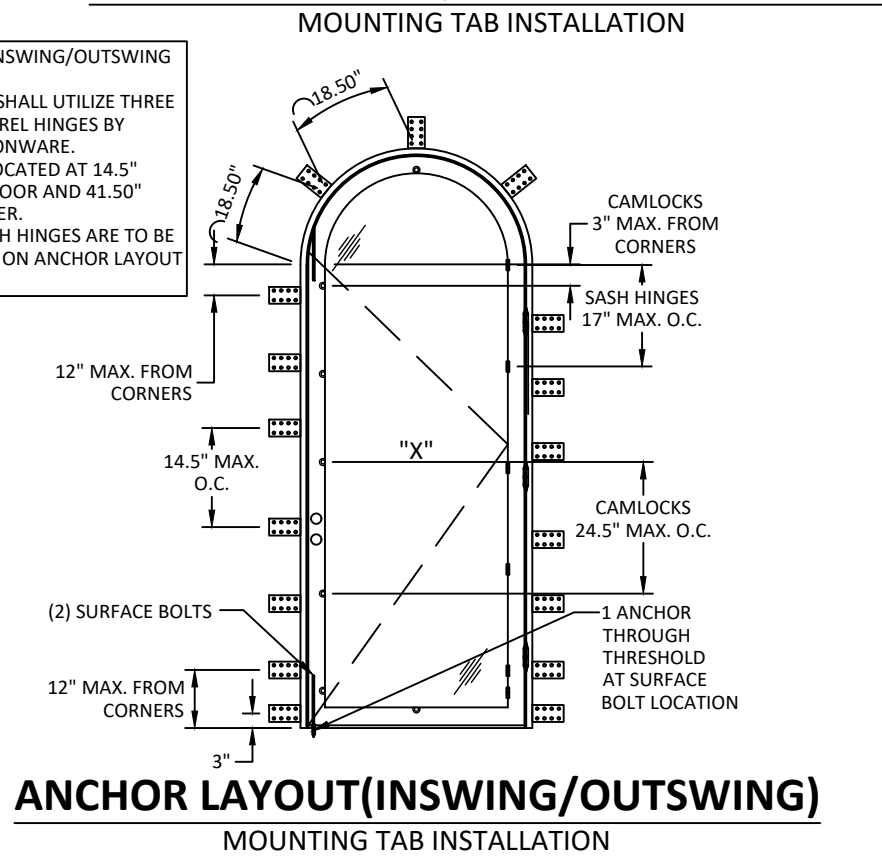


ANCHOR LAYOUT (INSWING/ OUTSWING) THROUGH FRAME INSTALLATION

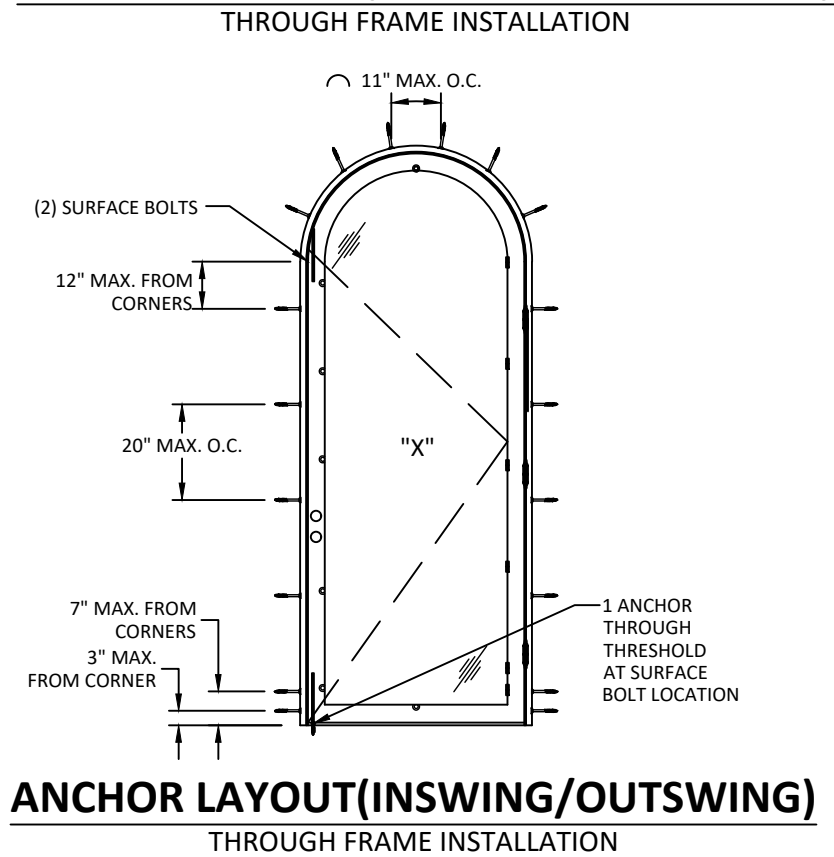


ELEVATION (INSWING/OUTSWING)

- HARDWARE NOTES FOR INSWING/OUTSWING DOOR:**
1. EACH ACTIVE PANEL SHALL UTILIZE THREE (3) 6" X 1" STEEL BARREL HINGES BY NATURAL CHOICE IRONWARE.
 2. HINGES ARE TO BE LOCATED AT 14.5" FROM BOTTOM OF DOOR AND 41.50" MAX. O.C. THEREAFTER.
 3. CAM LOCKS AND SASH HINGES ARE TO BE LOCATED AS SHOWN ON ANCHOR LAYOUT AT RIGHT.



ANCHOR LAYOUT (INSWING/OUTSWING) MOUNTING TAB INSTALLATION



ANCHOR LAYOUT (INSWING/OUTSWING) THROUGH FRAME INSTALLATION

c:\users\cruzi\one drive - building drops - inc\palmcity\iron door\116749\wz3.impact\pci014.dwg 8/19/2020 9:47 PM



PALM CITY IRONWORKS
3160 KUTAK RD.
FORT MYERS, FL 33916

PH: (239) 691-8400 FX: (239)277-0061

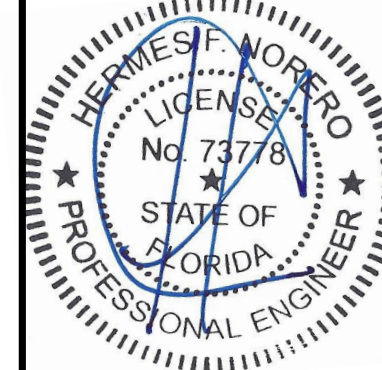
TITLE: **WROUGHT IRON DOORS
(INSWING/OUTSWING)
(WZ3)(IMPACT)**
ELEVATION AND
ANCHOR LAYOUT

PREPARED BY: **BUILDING DROPS, INC.**
398 E. DANIA BEACH BLVD., STE. 338
DANIA BEACH, FL 33004
PH: (954)399-8478
FAX: (954)744-4738
WEB: www.buildingdrops.com



REMARKS	BY	DATE

THE INSTALLATION DETAILS DESCRIBED HEREIN ARE GENERIC AND MAY NOT REFLECT ACTUAL CONDITIONS FOR A SPECIFIC SITE. IF SITE CONDITIONS CAUSE INSTALLATION TO DEVIATE FROM THE REQUIREMENTS DETAILED HEREIN, A LICENSED ENGINEER OR ARCHITECT SHALL PREPARE SITE SPECIFIC DOCUMENTS FOR USE WITH THIS DOCUMENT



HERMES F. NORERO
FLORIDA P. E. NO. 73778
398 E. DANIA BEACH BLVD., STE. 338
DANIA BEACH, FL 33004
FBPE CERT. OF AUTHORIZATION NO. 29578

FL16749

DATE: **03.21.19**

DWG. BY: **YC**

CHK. BY: **HFN**

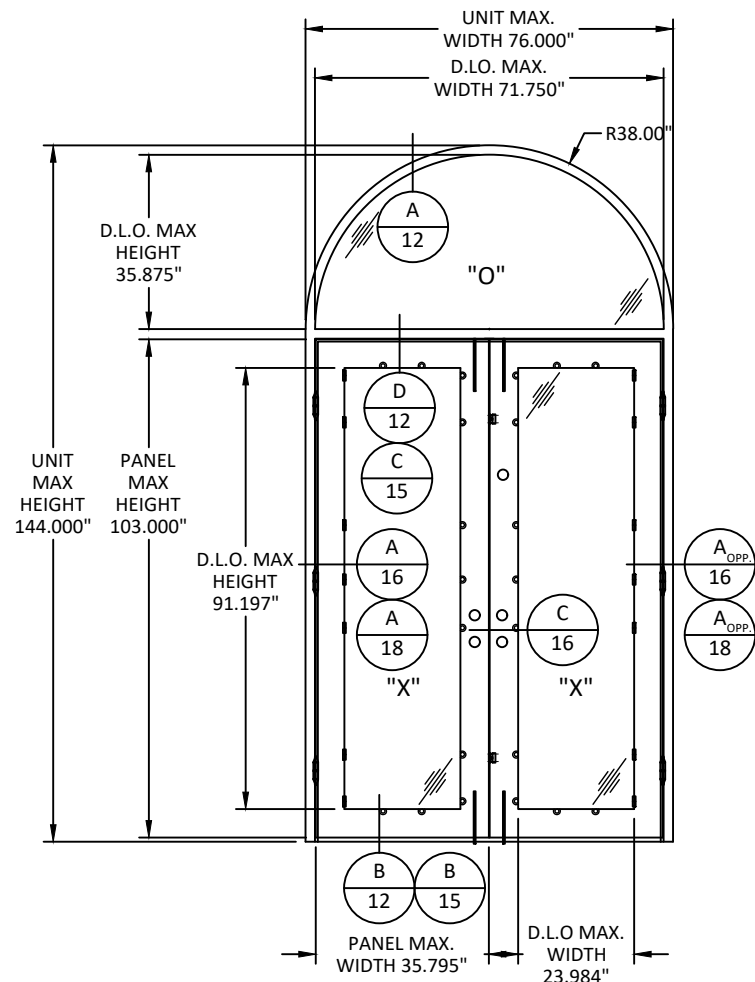
SCALE: **NTS**

DWG. #: **PCI014**

SHEET:

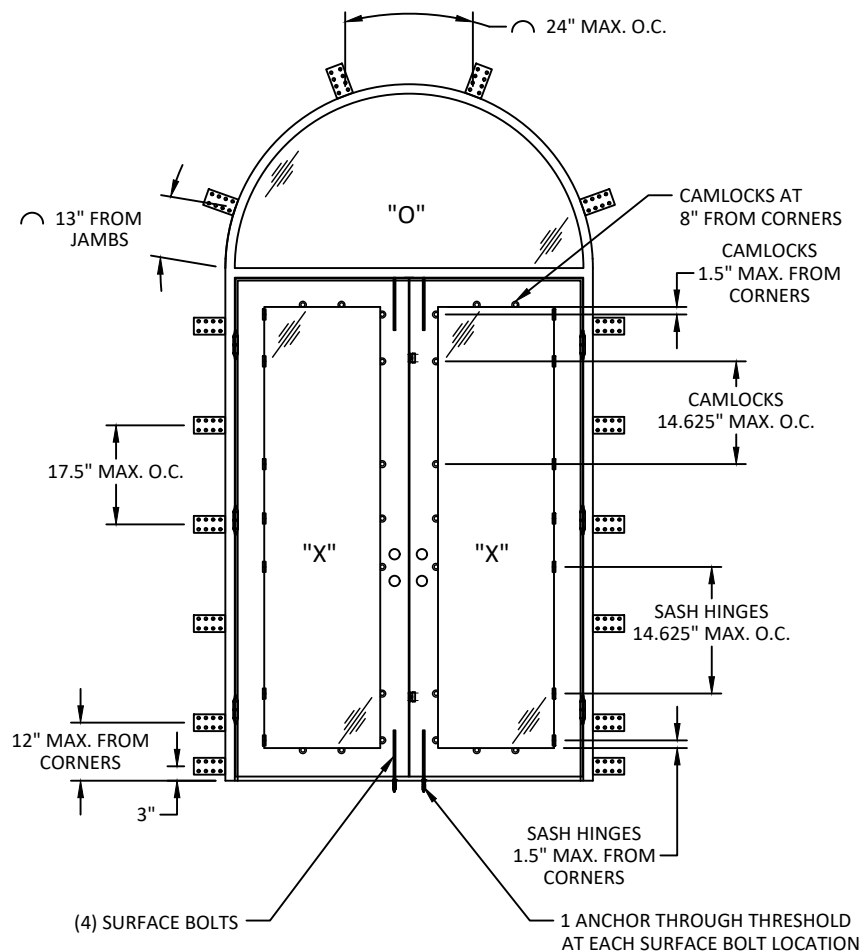
7

OF 23



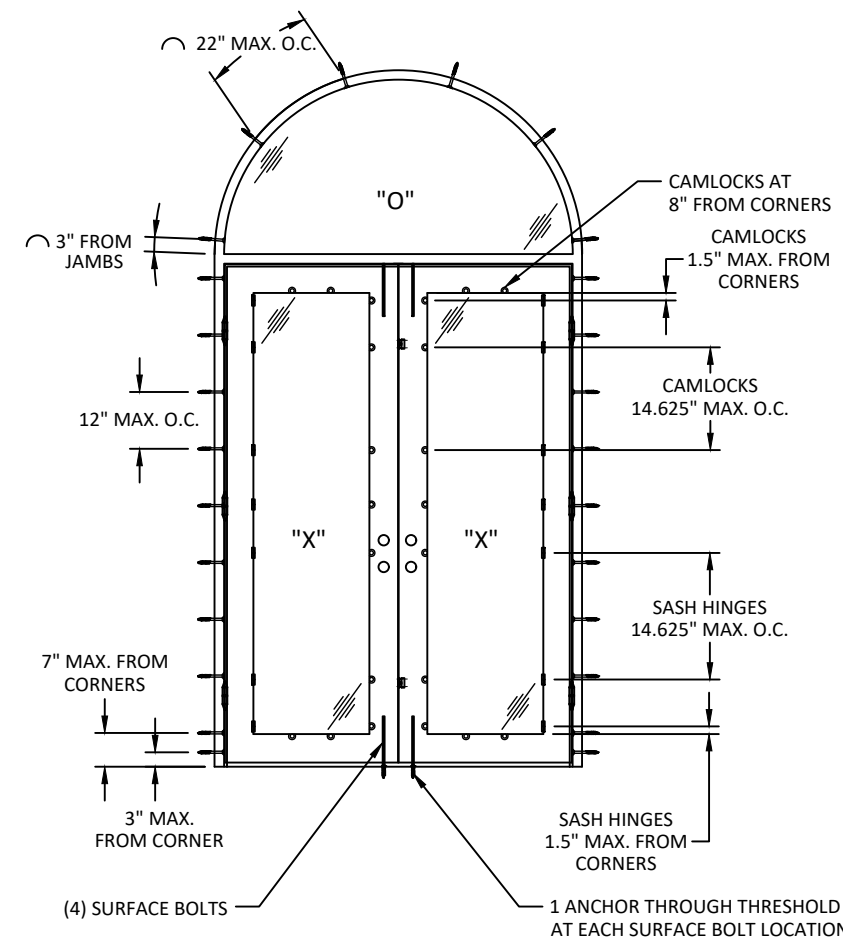
*NOTE:
MAXIMUM 13.95 SQFT OF GLASS FOR
TRANSOMS USING DETAILS C/11 AND A/14

ELEVATION (INSWING/OUTSWING)

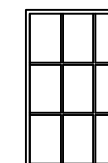


ANCHOR LAYOUT (INSWING/OUTSWING) MOUNTING TAB INSTALLATION

- HARDWARE NOTES:**
- EACH ACTIVE PANEL SHALL UTILIZE THREE (3) 6" X 1" STEEL BARREL HINGES BY NATURAL CHOICE IRONWARE.
 - HINGES ARE TO BE LOCATED AT 14.5" FROM BOTTOM OF DOOR AND 40.25" MAX. O.C. THEREAFTER.
 - CAM LOCKS AND SASH HINGES ARE TO BE LOCATED AS SHOWN ON ANCHOR LAYOUT AT RIGHT.



ANCHOR LAYOUT (INSWING/OUTSWING) THROUGH FRAME INSTALLATION



SIMULATED DIVIDED LITE
ALSO QUALIFIED



PALM CITY IRONWORKS
3160 KUTAK RD.
FORT MYERS, FL 33916

PH: (239) 691-8400 FX: (239)277-0061

TITLE: **WROUGHT IRON DOORS
(INSWING/OUTSWING)
(WZ3)(IMPACT)
ELEVATION AND
ANCHOR LAYOUT**

PREPARED BY: **BUILDING DROPS, INC.**
398 E. DANIA BEACH BLVD., STE. 338
DANIA BEACH, FL 33004
PH: (954)399-8478
FAX: (954)744-4738
WEB: www.buildingdrops.com

REMARKS	BY	DATE

THE INSTALLATION DETAILS DESCRIBED HEREIN ARE GENERIC AND MAY NOT REFLECT ACTUAL CONDITIONS FOR A SPECIFIC SITE. IF SITE CONDITIONS CAUSE INSTALLATION TO DEVIATE FROM THE REQUIREMENTS DETAILED HEREIN, A LICENSED ENGINEER OR ARCHITECT SHALL PREPARE SITE SPECIFIC DOCUMENTS FOR USE WITH THIS DOCUMENT



HERMES F. NORERO
FLORIDA P. E. NO. 73778
398 E. DANIA BEACH BLVD., STE. 338
DANIA BEACH, FL 33004
FBPE CERT. OF AUTHORIZATION NO. 29578

FL16749

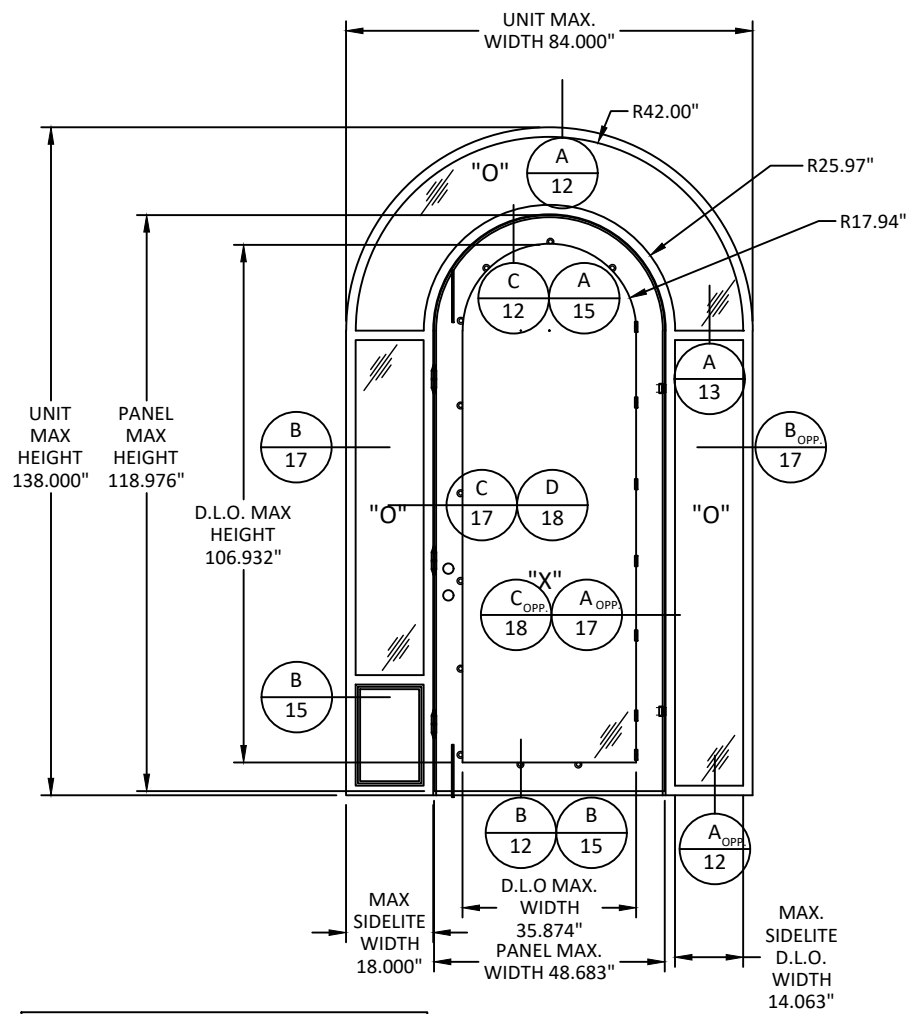
DATE: **03.21.19**

DWG. BY: **YC** | CHK. BY: **HFN**

SCALE: **NTS**

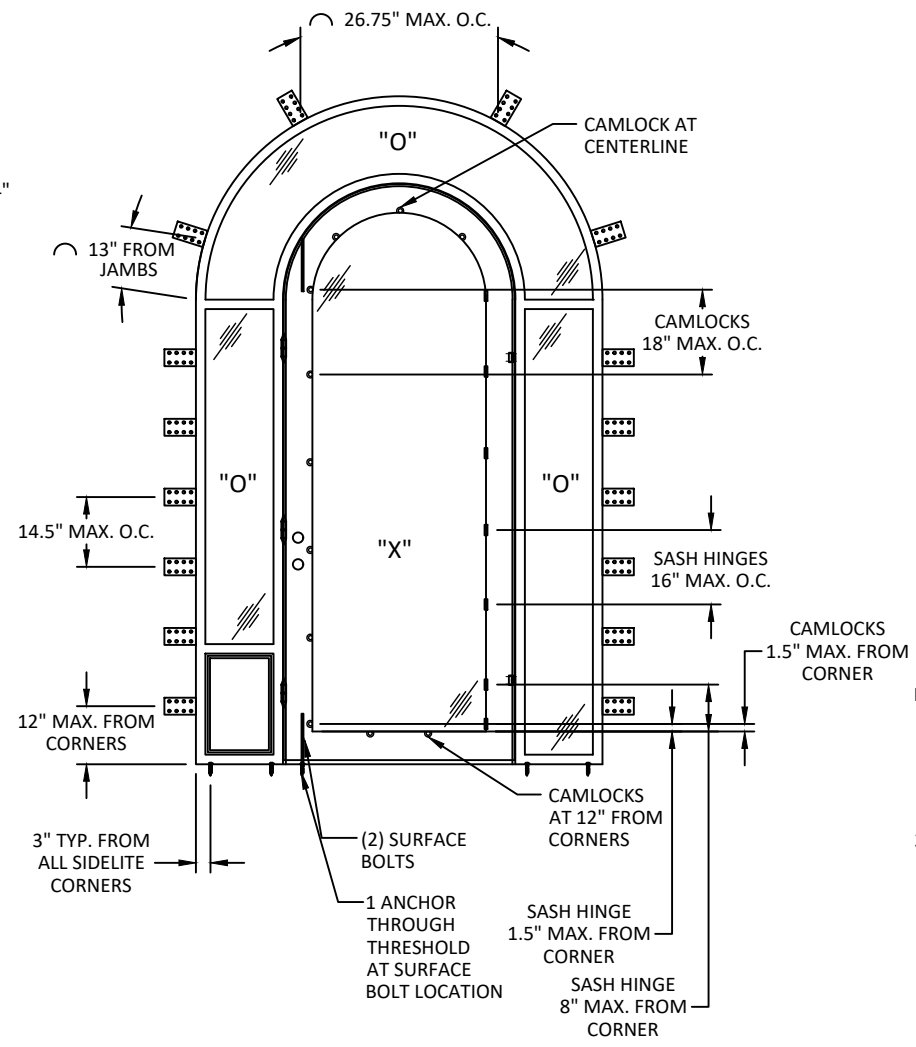
DWG. #: **PCI014**

SHEET:

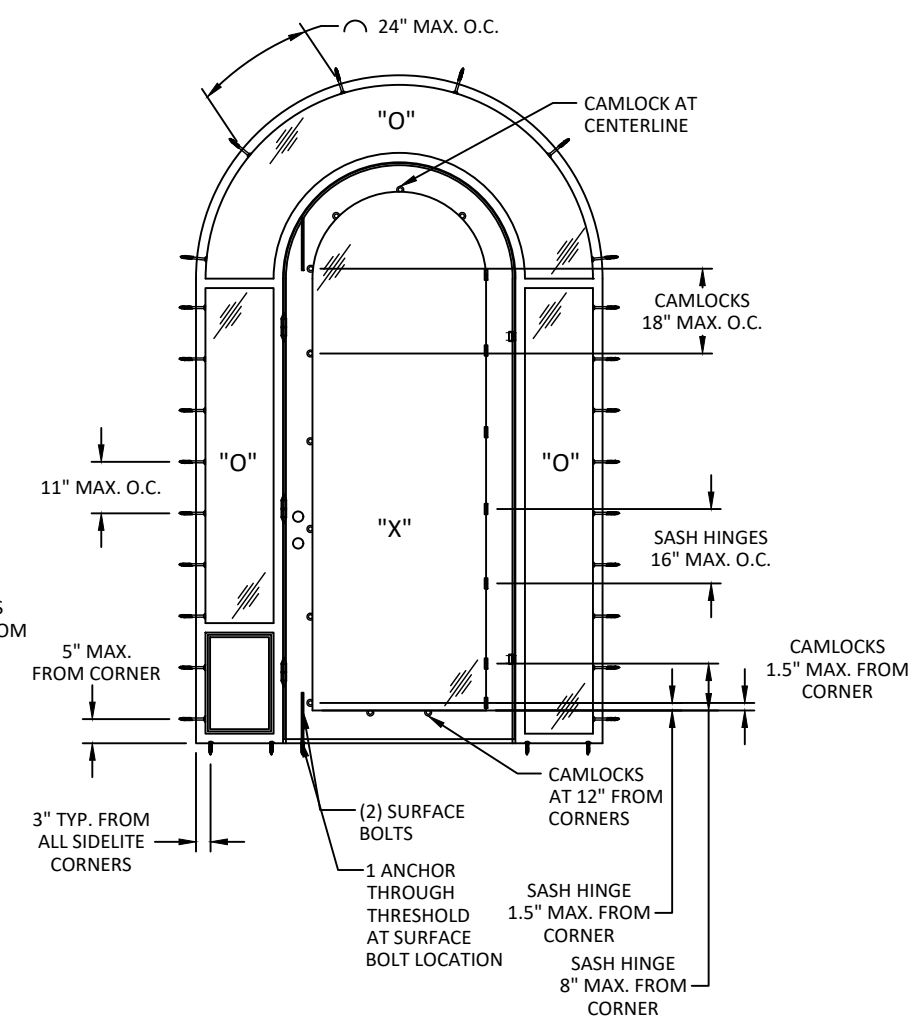


*NOTE:
MAXIMUM 13.95 SQFT OF GLASS FOR
TRANSOMS USING DETAILS C/11 AND A/14

ELEVATION(INSWING/OUTSWING) ANCHOR LAYOUT(INSWING/OUTSWING)



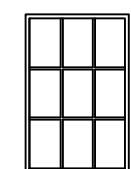
MOUNTING TAB INSTALLATION



ANCHOR LAYOUT (INSWING/OUTSWING)

THROUGH FRAME INSTALLATION

- HARDWARE NOTES:**
- EACH ACTIVE PANEL SHALL UTILIZE THREE (3) 6" X 1" STEEL BARREL HINGES BY NATURAL CHOICE IRONWARE.
 - HINGES ARE TO BE LOCATED AT 14.5" FROM BOTTOM OF DOOR AND 36.50" MAX. O.C. THEREAFTER.
 - CAM LOCKS AND SASH HINGES ARE TO BE LOCATED AS SHOWN ON ANCHOR LAYOUT AT RIGHT.



SIMULATED DIVIDED LITE
ALSO QUALIFIED

8/19/2020 9:47 PM c:\users\cruzy\onedrive - building drops - building drops - iron door (fl16749)wz3 impact\pci014.dwg



PALM CITY IRONWORKS
3160 KUTAK RD.
FORT MYERS, FL 33916

PH: (239) 691-8400 FX: (239)277-0061

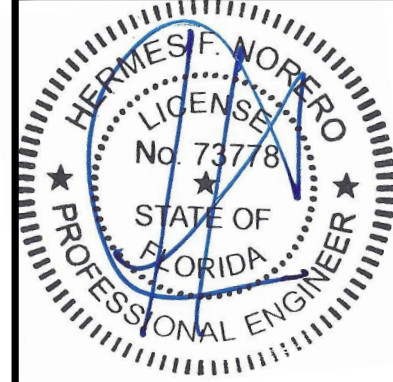
TITLE: **WROUGHT IRON DOORS
(INSWING/OUTSWING)
(WZ3)/(IMPACT)
ELEVATION AND
ANCHOR LAYOUT**

PREPARED BY: **BUILDING DROPS, INC.**
398 E. DANIA BEACH BLVD., STE. 338
DANIA BEACH, FL 33004
PH: (954)399-8478
FAX: (954)744-4738
WEB: www.buildingdrops.com



REMARKS	BY	DATE

THE INSTALLATION DETAILS DESCRIBED HEREIN ARE GENERIC AND MAY NOT REFLECT ACTUAL CONDITIONS FOR A SPECIFIC SITE. IF SITE CONDITIONS CAUSE INSTALLATION TO DEVIATE FROM THE REQUIREMENTS DETAILED HEREIN, A LICENSED ENGINEER OR ARCHITECT SHALL PREPARE SITE SPECIFIC DOCUMENTS FOR USE WITH THIS DOCUMENT



HERMES F. NORERO
FLORIDA P. E. NO. 73778
398 E. DANIA BEACH BLVD., STE. 338
DANIA BEACH, FL 33004
FBPE CERT. OF AUTHORIZATION NO. 29578

FL16749

DATE: **03.21.19**

DWG. BY: **YC** CHK. BY: **HFN**

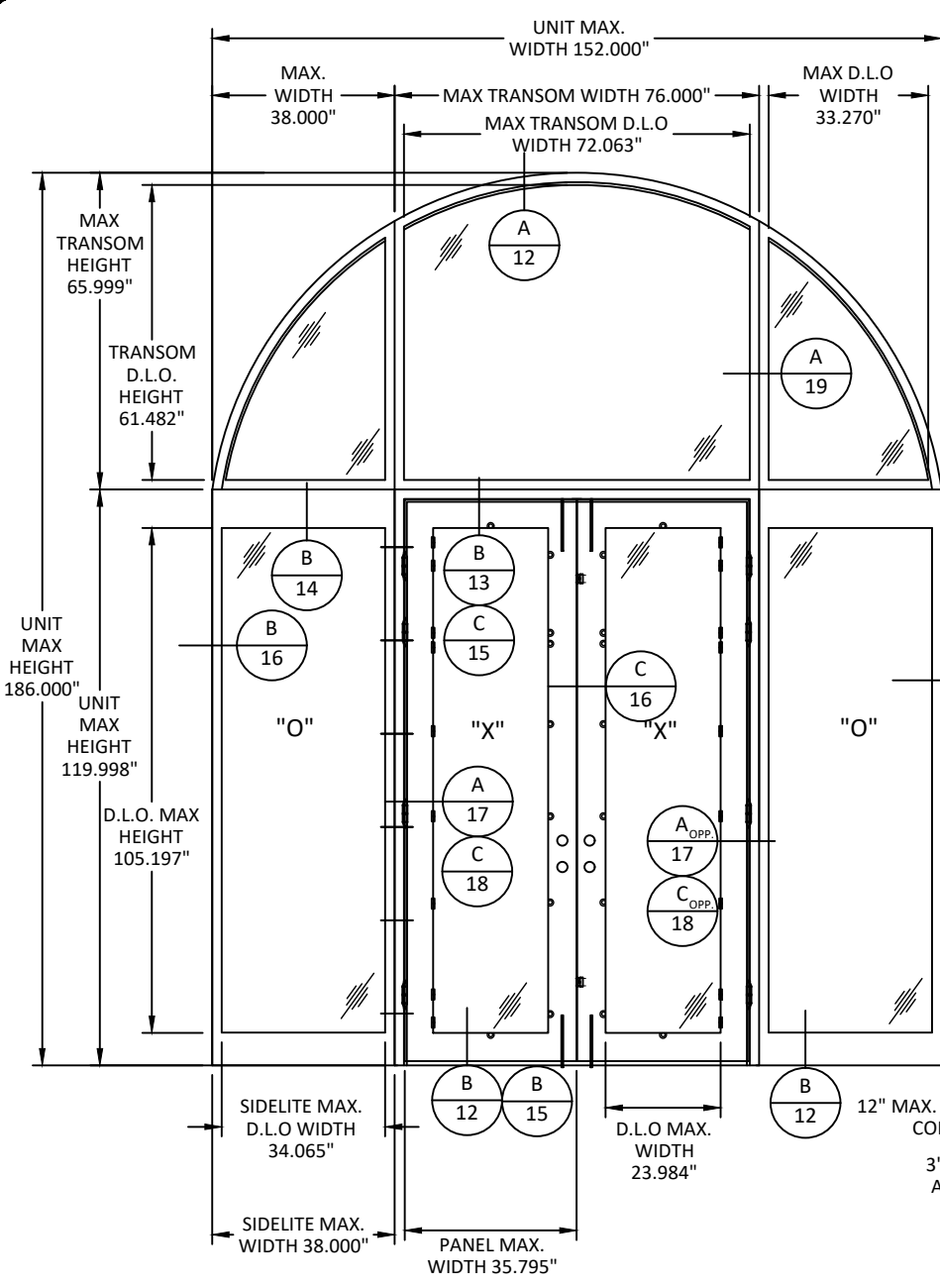
SCALE: **NTS**

DWG. #: **PCI014**

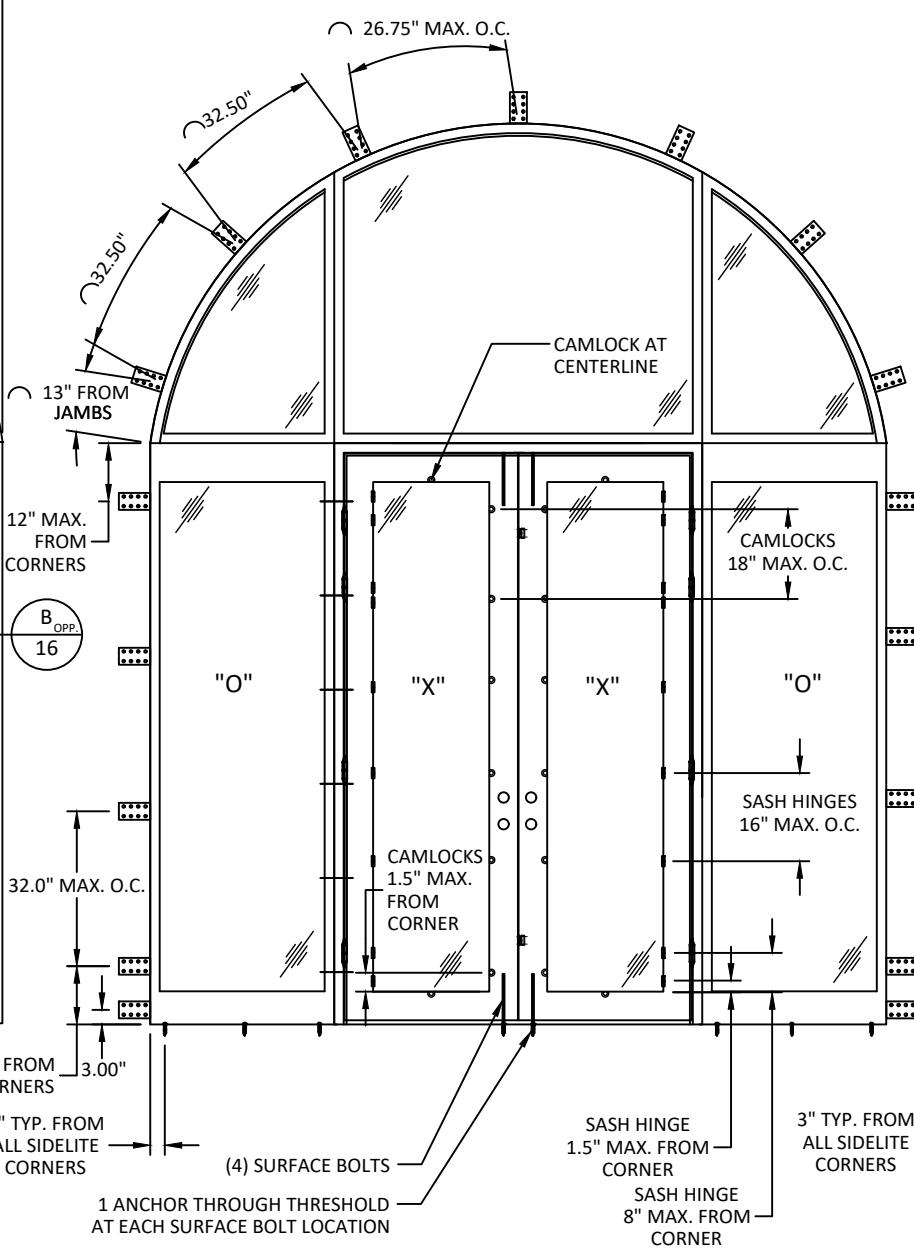
SHEET:

9

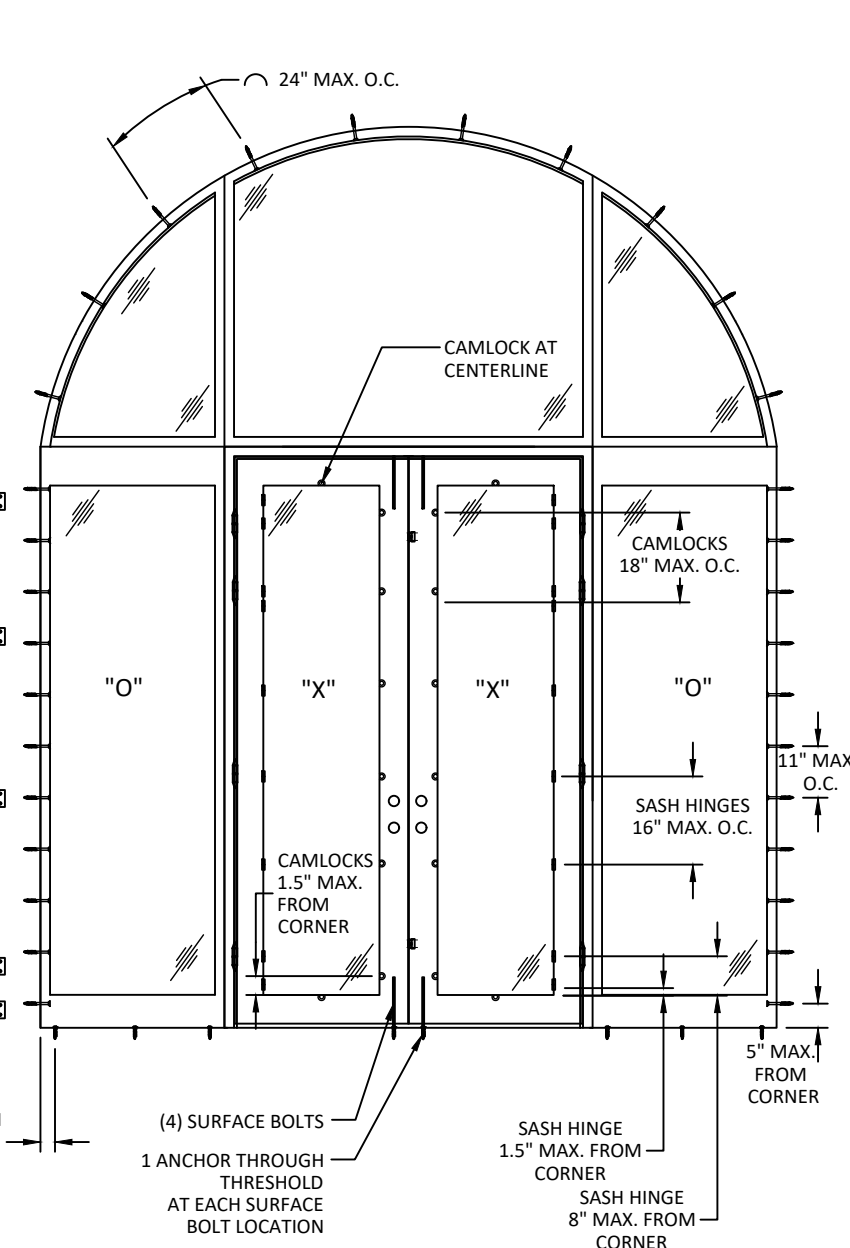
OF 23



ELEVATION(INSWING/OUTSWING)

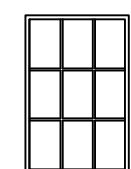


**ANCHOR LAYOUT(INSIWNG/OUTSWING)
MOUNTING TAB INSTALLATION**



**ANCHOR LAYOUT(/INSWINGOUTSWING)
THROUGH FRAME INSTALLATION**

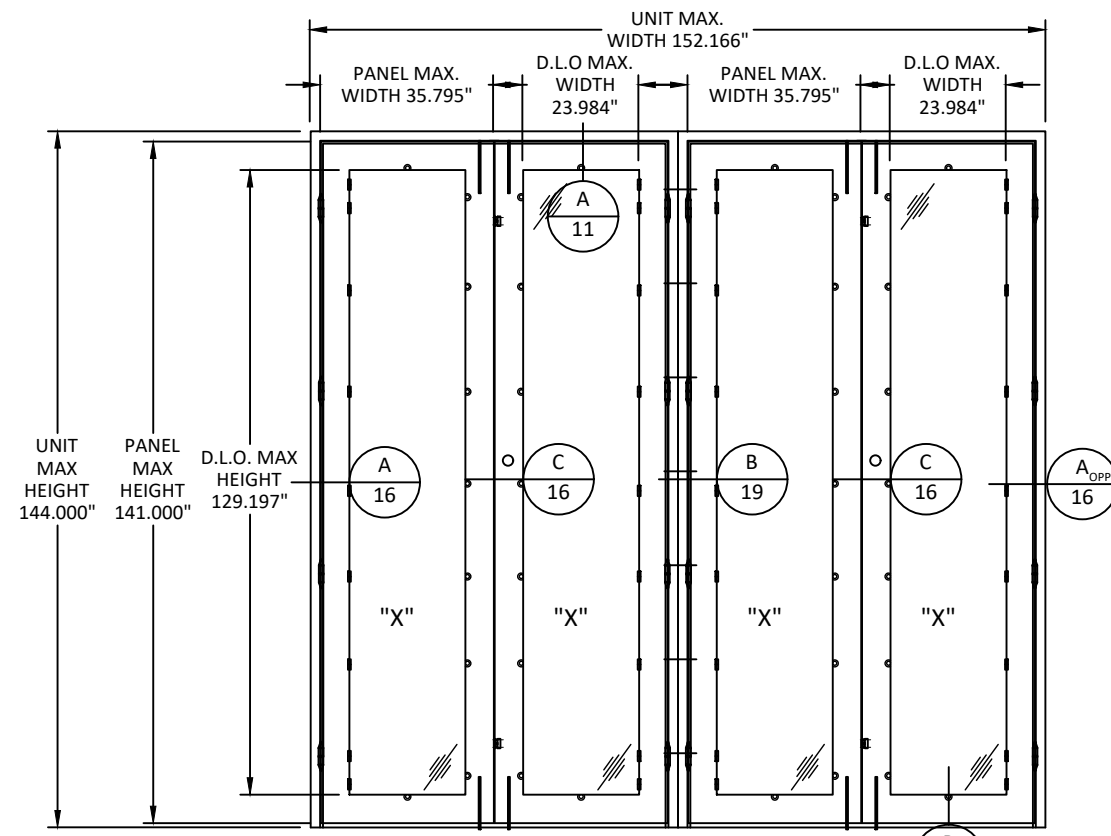
- HARDWARE NOTES:**
1. EACH ACTIVE PANEL SHALL UTILIZE THREE (3) 6" X 1" STEEL BARREL HINGES BY NATURAL CHOICE IRONWARE.
 2. HINGES ARE TO BE LOCATED AT 14.5" FROM BOTTOM OF DOOR AND 36.50" MAX. O.C. THEREAFTER.
 3. CAM LOCKS AND SASH HINGES ARE TO BE LOCATED AS SHOWN ON ANCHOR LAYOUT AT RIGHT.



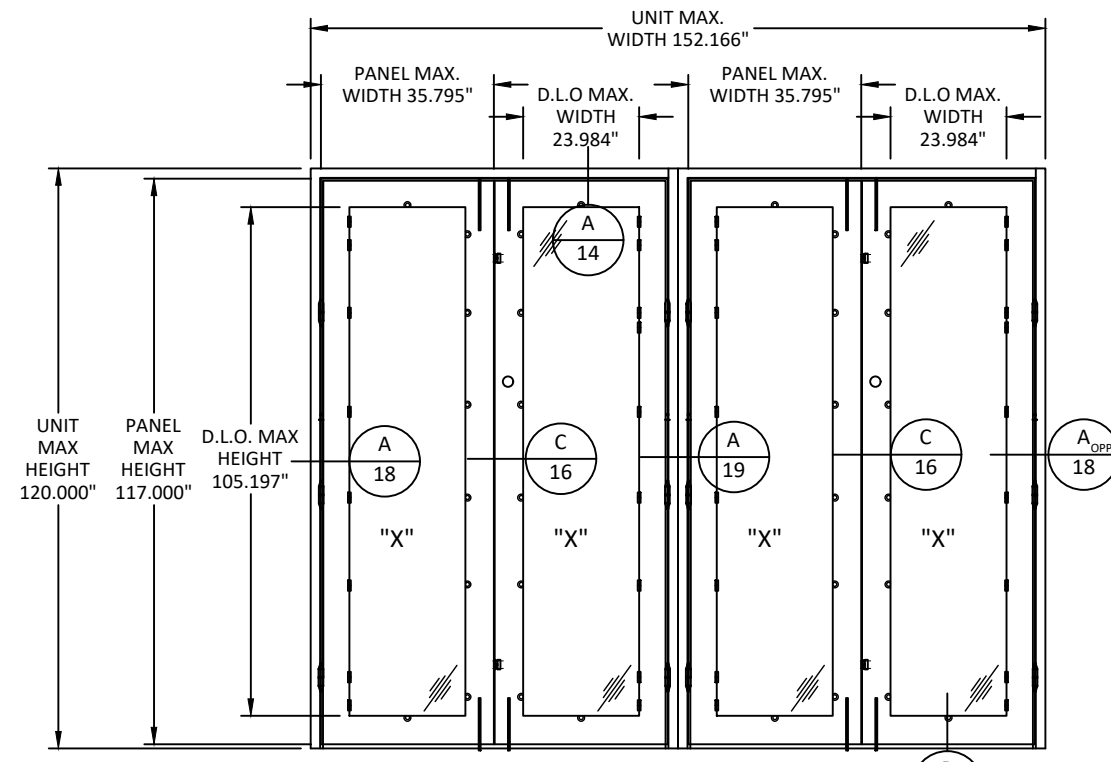
SIMULATED DIVIDED LITE
ALSO QUALIFIED

8/19/2020 9:47 PM
c:\users\crux\onedrive - building drops, inc\palmcity\iron door\fl16749\wz3_impact\pci014.dwg

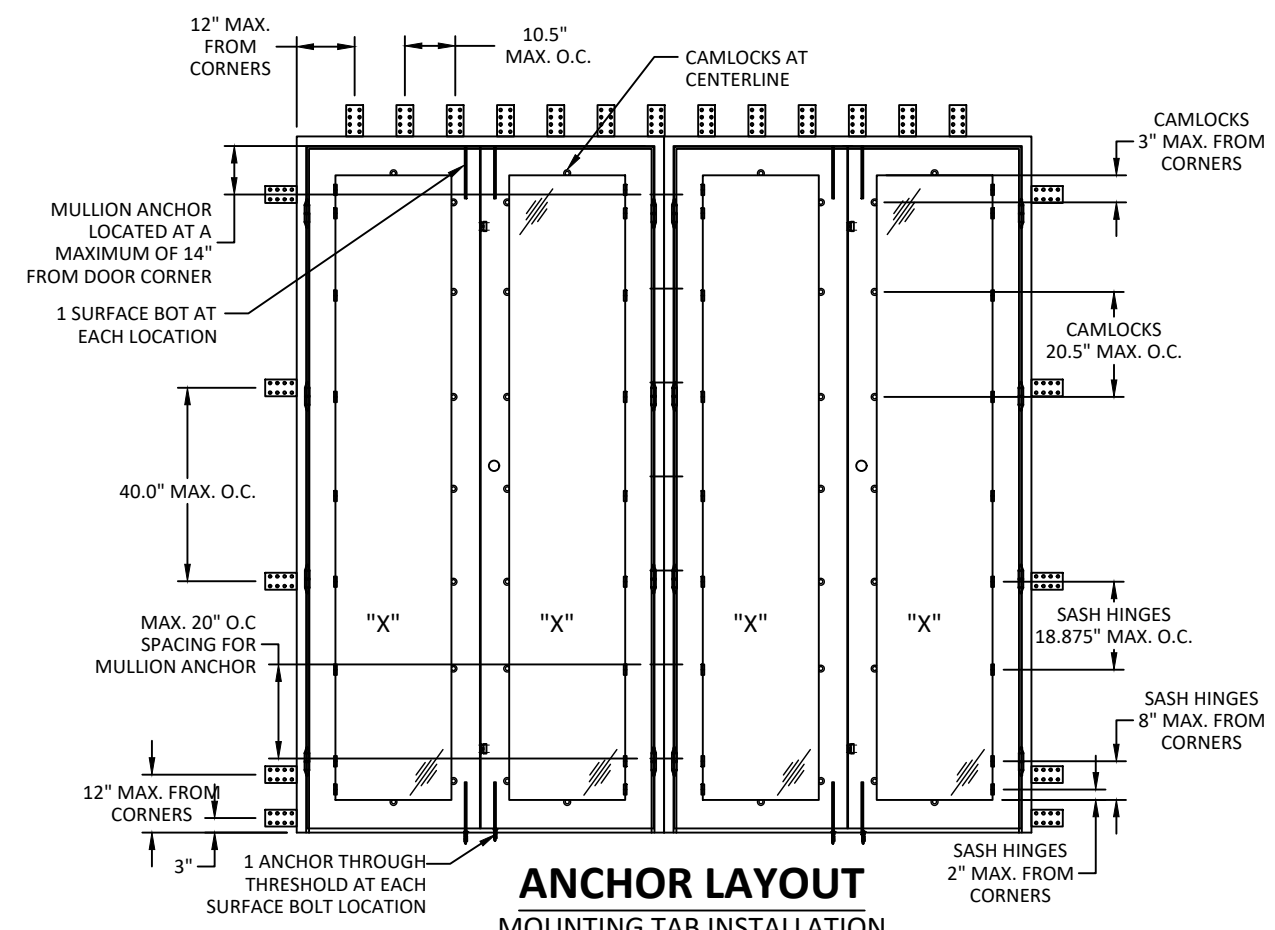
8/19/2020 9:47 PM



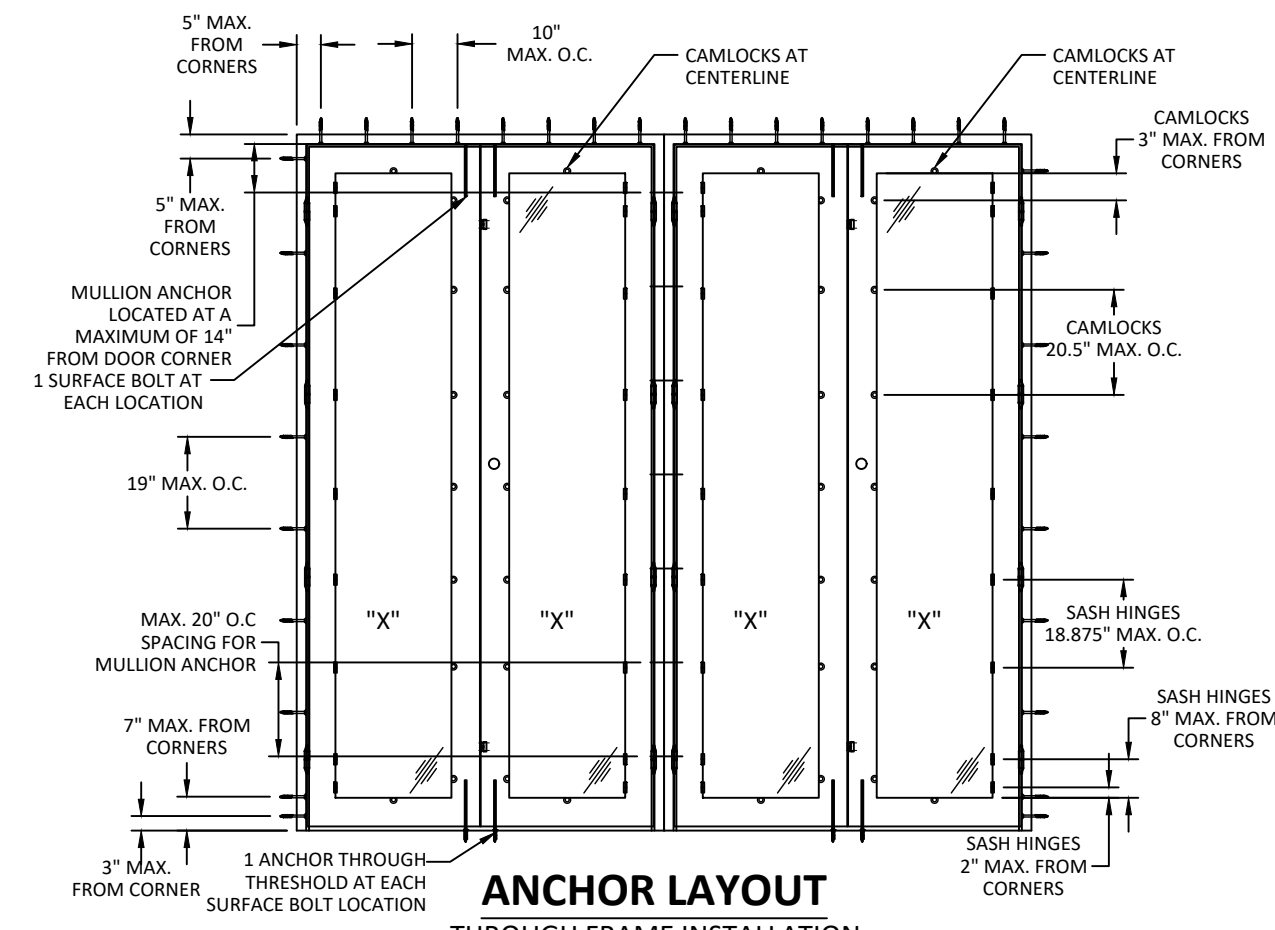
ELEVATION(OUTSWING)
 OUTSWING TO OUTSWING
 MAX HEIGHT 144"



ELEVATION(INSWING)
 INSWING TO INSWING
 MAX HEIGHT 120"



ANCHOR LAYOUT
 MOUNTING TAB INSTALLATION



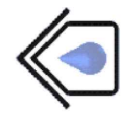
ANCHOR LAYOUT
 THROUGH FRAME INSTALLATION



Palm City IRONWORKS
 PALM CITY IRONWORKS
 3160 KUTAK RD.
 FORT MYERS, FL 33916
 PH: (239) 691-8400 FX: (239) 277-0061

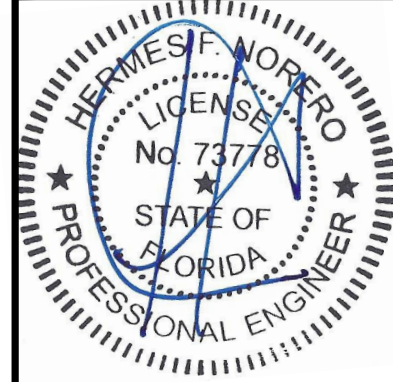
TITLE: **WROUGHT IRON DOORS (INSWING/OUTSWING) (WZ3)(IMPACT) ELEVATION AND ANCHOR LAYOUT**

PREPARED BY: **BUILDING DROPS, INC.**
 398 E. DANIA BEACH BLVD., STE. 338
 DANIA BEACH, FL 33004
 PH: (954) 399-8478
 FAX: (954) 744-4738
 WEB: www.buildingdrops.com



REMARKS	BY	DATE

THE INSTALLATION DETAILS DESCRIBED HEREIN ARE GENERIC AND MAY NOT REFLECT ACTUAL CONDITIONS FOR A SPECIFIC SITE. IF SITE CONDITIONS CAUSE INSTALLATION TO DEVIATE FROM THE REQUIREMENTS DETAILED HEREIN, A LICENSED ENGINEER OR ARCHITECT SHALL PREPARE SITE SPECIFIC DOCUMENTS FOR USE WITH THIS DOCUMENT



HERMES F. NORERO
 FLORIDA P. E. NO. 73778
 398 E. DANIA BEACH BLVD., STE. 338
 DANIA BEACH, FL 33004
 FBPE CERT. OF AUTHORIZATION NO. 29578

FL16749

DATE: **03.21.19**

DWG. BY: **YC** CHK. BY: **HFN**

SCALE: **NTS**

DWG. #: **PCI014**

SHEET:

10

OF 23

c:\users\crux\onedrive - building drops, inc\palmcity\iron door\fl16749\wz3_impact\pci014.dwg



PALM CITY IRONWORKS
3160 KUTAK RD.
FORT MYERS, FL 33916

PH: (239) 691-8400 FX: (239) 277-0061

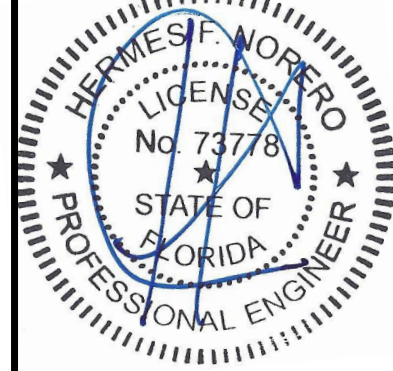
TITLE: **WROUGHT IRON DOORS
(INSWING/OUTSWING)
(WZ3)/(IMPACT)**
VERTICAL SECTIONS

PREPARED BY: **BUILDING DROPS, INC.**
398 E. DANIA BEACH BLVD., STE. 338
DANIA BEACH, FL 33004
PH: (954) 999-8478
FAX: (954) 744-4738
WEB: www.buildingdrops.com



REMARKS	BY	DATE

THE INSTALLATION DETAILS DESCRIBED HEREIN ARE GENERIC AND MAY NOT REFLECT ACTUAL CONDITIONS FOR A SPECIFIC SITE. IF SITE CONDITIONS CAUSE INSTALLATION TO DEVIATE FROM THE REQUIREMENTS DETAILED HEREIN, A LICENSED ENGINEER OR ARCHITECT SHALL PREPARE SITE SPECIFIC DOCUMENTS FOR USE WITH THIS DOCUMENT



HERMES F. NORERO
FLORIDA P. E. NO. 73778
398 E. DANIA BEACH BLVD., STE. 338
DANIA BEACH, FL 33004
FBPE CERT. OF AUTHORIZATION NO. 29578

FL16749

DATE: **03.21.19**

DWG. BY: **YC** CHK. BY: **HFN**

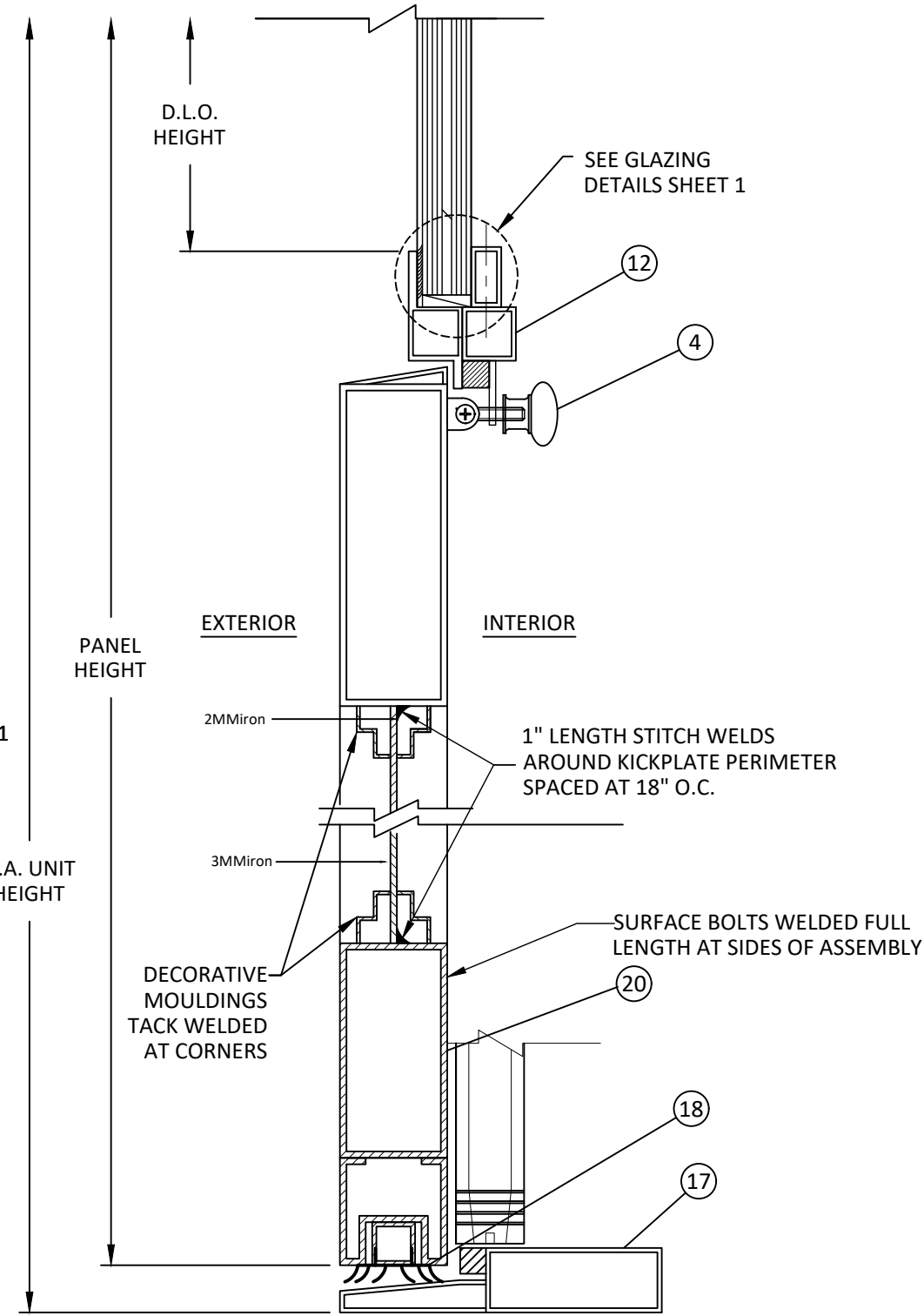
SCALE: **NTS**

DWG. #: **PCI014**

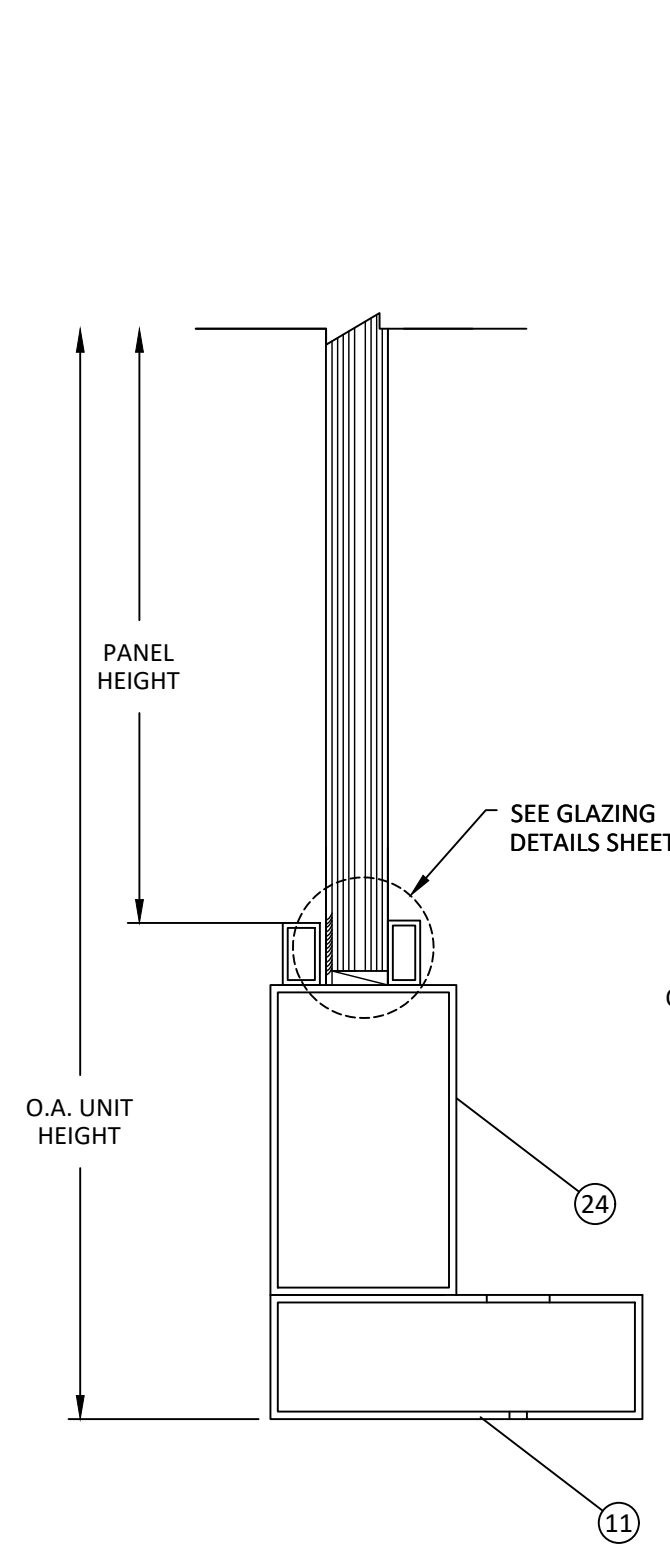
SHEET:

11

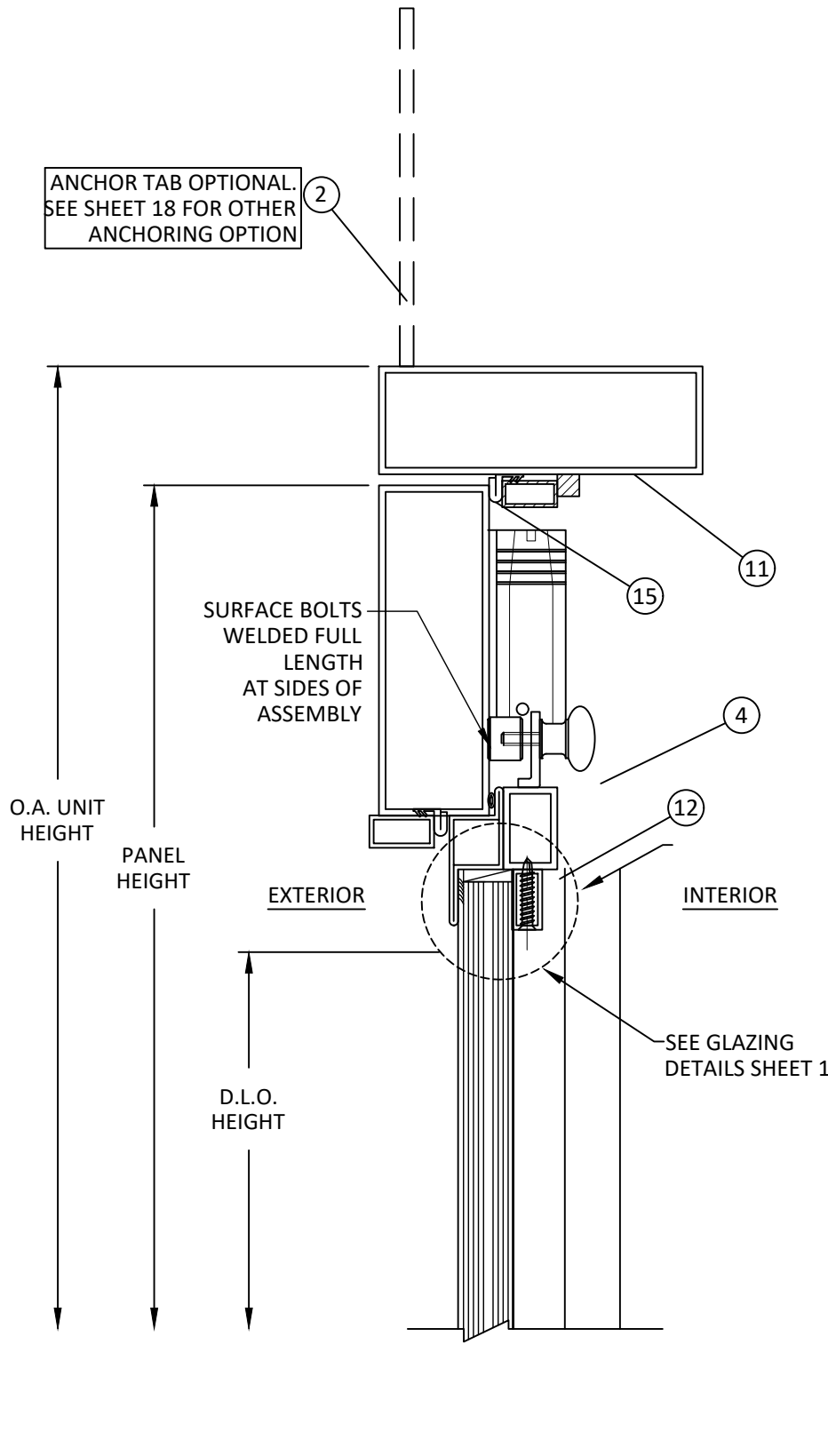
OF 23



C
11 VERTICAL SECTION
SILL DETAIL OUT-SWING DOOR



B
11 VERTICAL SECTION
SIDELITE SILL



A
11 VERTICAL SECTION
HEAD DETAIL OUT-SWING DOOR

8/19/2020 9:47 PM
c:\users\cruz\one-drive - building drops - inc\palmcity\iron door\116749\wr3 impact\pci014.dwg



PALM CITY IRONWORKS
3160 KUTAK RD.
FORT MYERS, FL 33916

PH: (239) 691-8400 FX: (239)277-0061

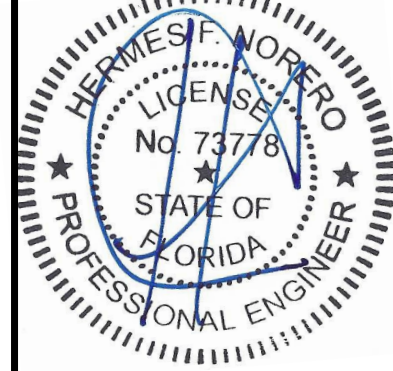
TITLE: **WROUGHT IRON DOORS
(INSWING/OUTSWING)
(WZ3)/(IMPACT)**
VERTICAL SECTIONS

PREPARED BY:
BUILDING DROPS, INC.
398 E. DANIA BEACH BLVD., STE. 338
DANIA BEACH, FL 33004
PH: (954)999-8478
FAX: (954)744-4738
WEB: www.buildingdrops.com



REMARKS	BY	DATE

THE INSTALLATION DETAILS DESCRIBED HEREIN ARE GENERIC AND MAY NOT REFLECT ACTUAL CONDITIONS FOR A SPECIFIC SITE. IF SITE CONDITIONS CAUSE INSTALLATION TO DEVIATE FROM THE REQUIREMENTS DETAILED HEREIN, A LICENSED ENGINEER OR ARCHITECT SHALL PREPARE SITE SPECIFIC DOCUMENTS FOR USE WITH THIS DOCUMENT



HERMES F. NORERO
FLORIDA P. E. NO. 73778
398 E. DANIA BEACH BLVD., STE. 338
DANIA BEACH, FL 33004
FBPE CERT. OF AUTHORIZATION NO. 29578

FL16749

DATE: **03.21.19**

DWG. BY: **YC** | CHK. BY: **HFN**

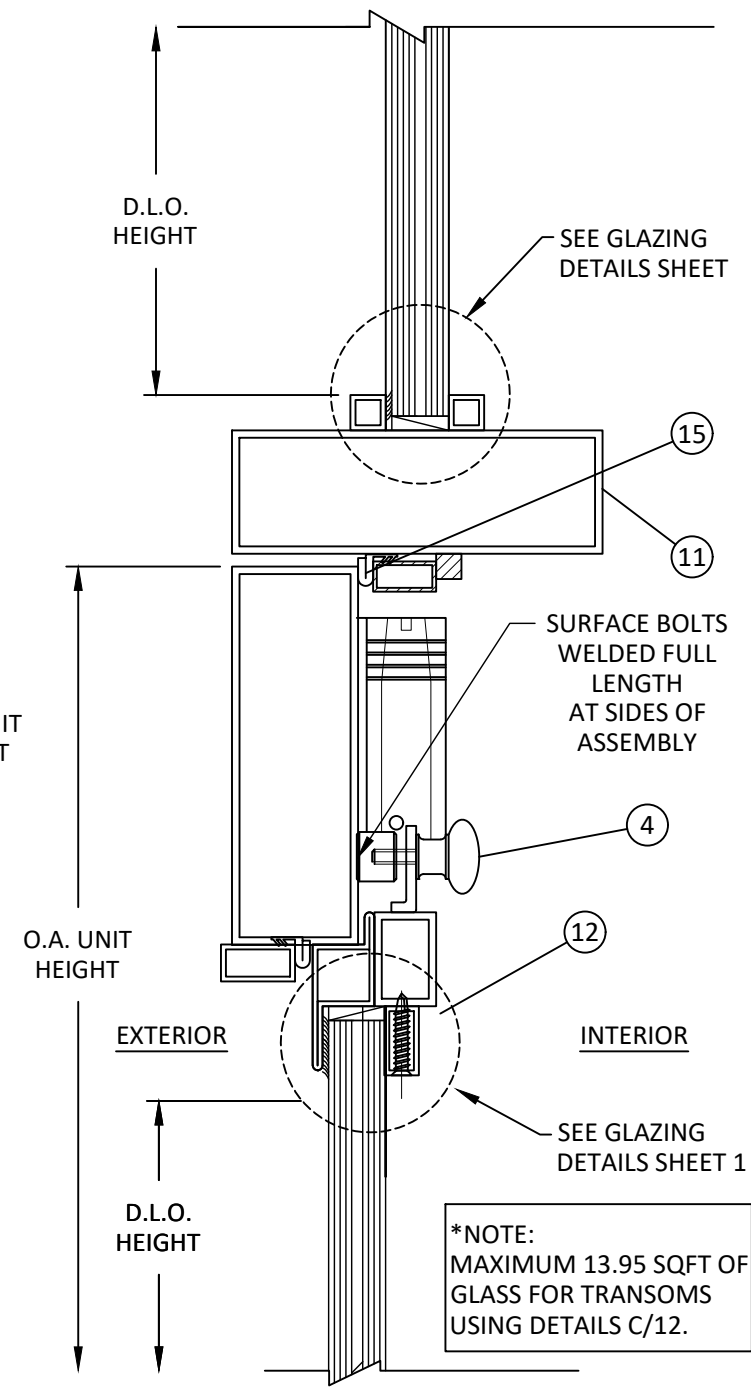
SCALE: **NTS**

DWG. #: **PCI014**

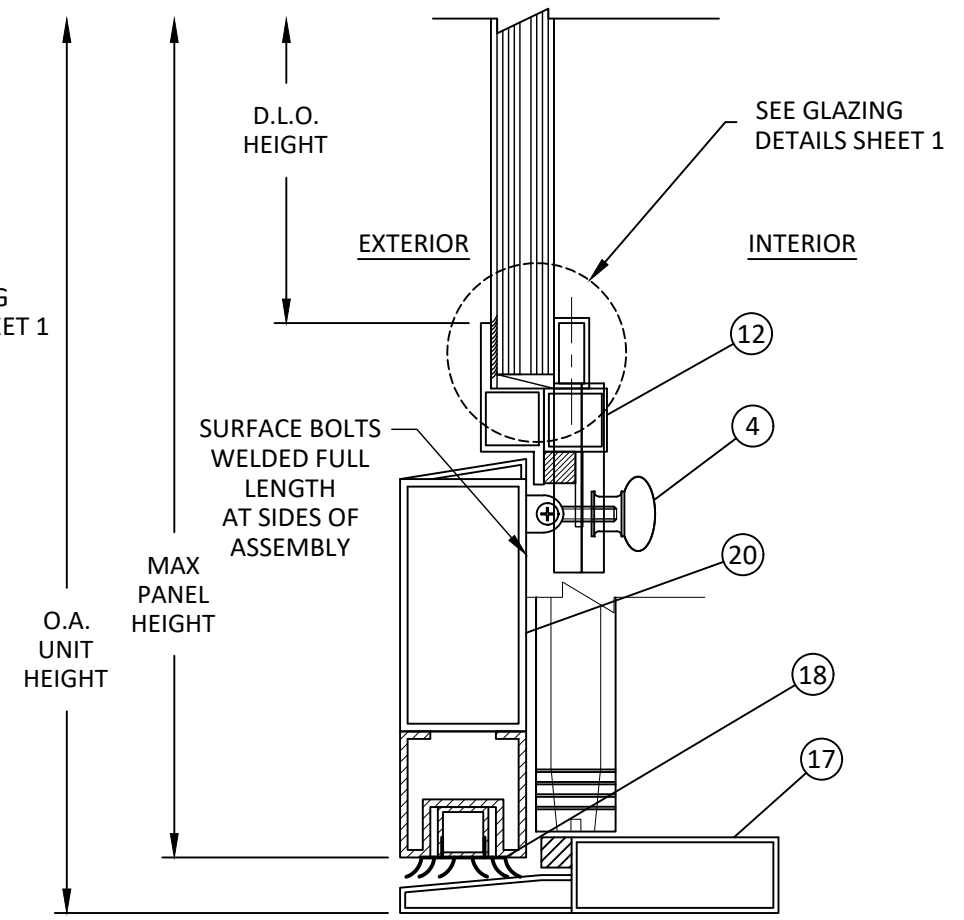
SHEET:

12

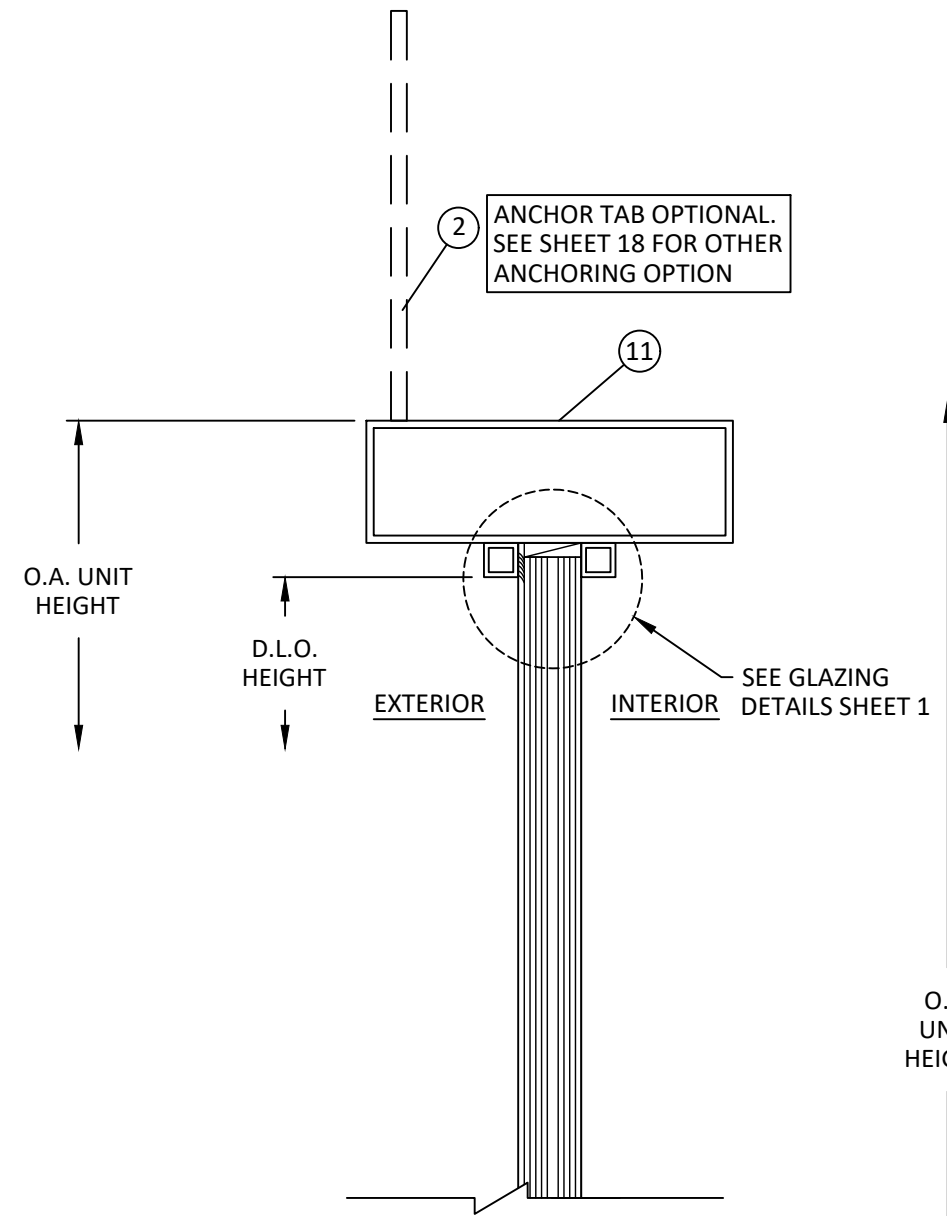
OF 23



C
12 VERTICAL SECTION
OUT-SWING DOOR WITH TRANSOM



B
12 VERTICAL SECTION
SILL DETAIL OUT-SWING DOOR



A
12 VERTICAL SECTION
HEAD DETAIL TRANSOM

8/19/2020 9:47 PM

c:\users\cruz\one\drive - building drops - iron door\116749\wr3 impact\pci014.dwg

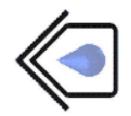


PALM CITY IRONWORKS
3160 KUTAK RD.
FORT MYERS, FL 33916

PH: (239) 691-8400 FX: (239) 277-0061

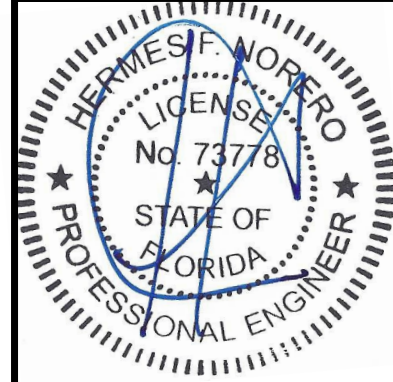
TITLE: **WROUGHT IRON DOORS
(INSWING/OUTSWING)
(WZ3)/(IMPACT)**
VERTICAL SECTIONS

PREPARED BY: **BUILDING DROPS, INC.**
398 E. DANIA BEACH BLVD., STE. 338
DANIA BEACH, FL 33004
PH: (954) 999-8478
FAX: (954) 744-4738
WEB: www.buildingdrops.com



REMARKS	BY	DATE

THE INSTALLATION DETAILS DESCRIBED HEREIN ARE GENERIC AND MAY NOT REFLECT ACTUAL CONDITIONS FOR A SPECIFIC SITE. IF SITE CONDITIONS CAUSE INSTALLATION TO DEVIATE FROM THE REQUIREMENTS DETAILED HEREIN, A LICENSED ENGINEER OR ARCHITECT SHALL PREPARE SITE SPECIFIC DOCUMENTS FOR USE WITH THIS DOCUMENT



HERMES F. NORERO
FLORIDA P. E. NO. 73778
398 E. DANIA BEACH BLVD., STE. 338
DANIA BEACH, FL 33004
FBPE CERT. OF AUTHORIZATION NO. 29578

FL16749

DATE: **03.21.19**

DWG. BY: **YC** CHK. BY: **HFN**

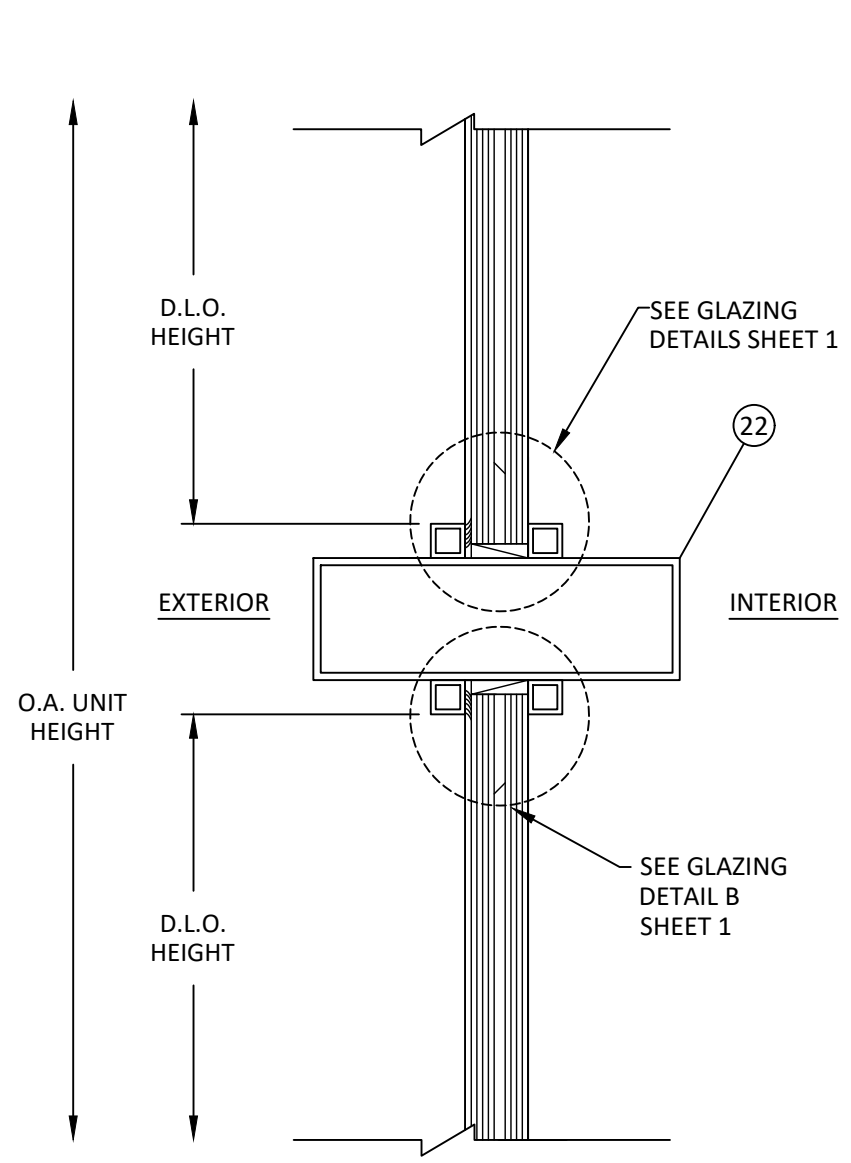
SCALE: **NTS**

DWG. #: **PCI014**

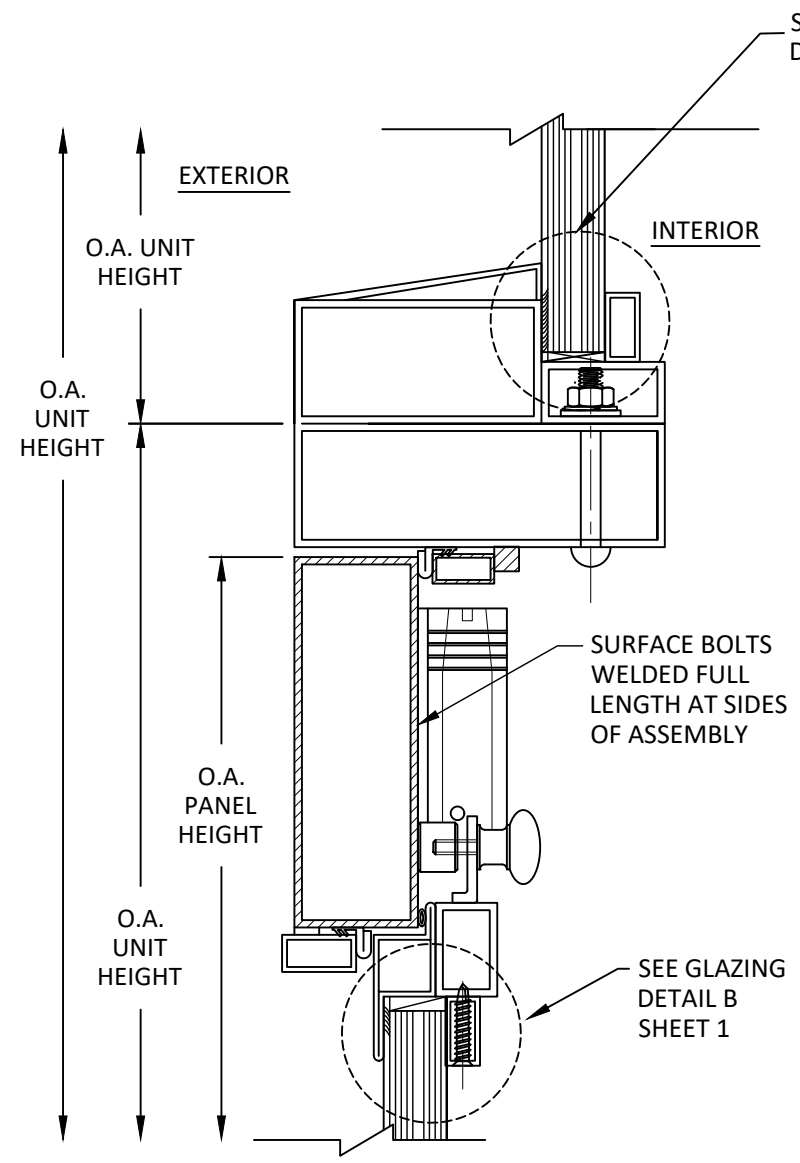
SHEET:

13

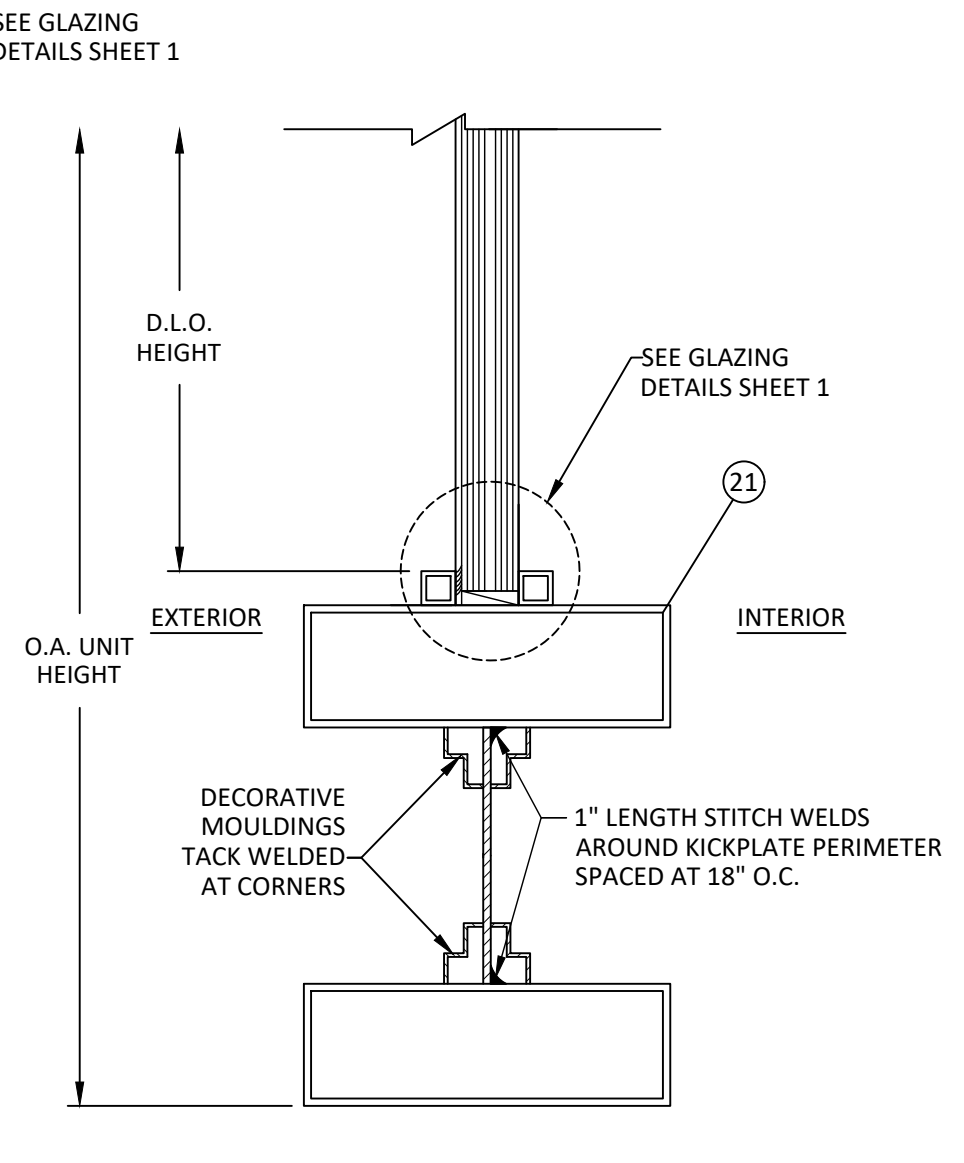
OF 23



A
13 VERTICAL SECTION
TRANSOM-SIDELITE



B
13 VERTICAL SECTION
OUTSWING WITH TRANSOM



C
13 VERTICAL SECTION
SIDELITE-KICKPLATE

8/19/2020 9:47 PM

c:\users\cruz\one drive - building drops, inc\palmcity\iron door\116749\wr3 impact\pci014.dwg



PALM CITY IRONWORKS
3160 KUTAK RD.
FORT MYERS, FL 33916

PH: (239) 691-8400 FX: (239)277-0061

TITLE: **WROUGHT IRON DOORS
(INSWING/OUTSWING)
(WZ3)(IMPACT)**

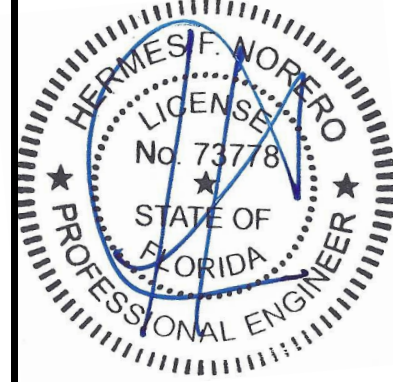
VERTICAL SECTIONS

PREPARED BY: **BUILDING DROPS, INC.**
398 E. DANIA BEACH BLVD., STE. 338
DANIA BEACH, FL 33004
PH: (954)399-8478
FAX: (954)744-4738
WEB: www.buildingdrops.com



REMARKS	BY	DATE

THE INSTALLATION DETAILS DESCRIBED HEREIN ARE GENERIC AND MAY NOT REFLECT ACTUAL CONDITIONS FOR A SPECIFIC SITE. IF SITE CONDITIONS CAUSE INSTALLATION TO DEVIATE FROM THE REQUIREMENTS DETAILED HEREIN, A LICENSED ENGINEER OR ARCHITECT SHALL PREPARE SITE SPECIFIC DOCUMENTS FOR USE WITH THIS DOCUMENT



HERMES F. NORERO
FLORIDA P. E. NO. 73778
398 E. DANIA BEACH BLVD., STE. 338
DANIA BEACH, FL 33004
FBPE CERT. OF AUTHORIZATION NO. 29578

FL16749

DATE: **03.21.19**

DWG. BY: **YC** CHK. BY: **HFN**

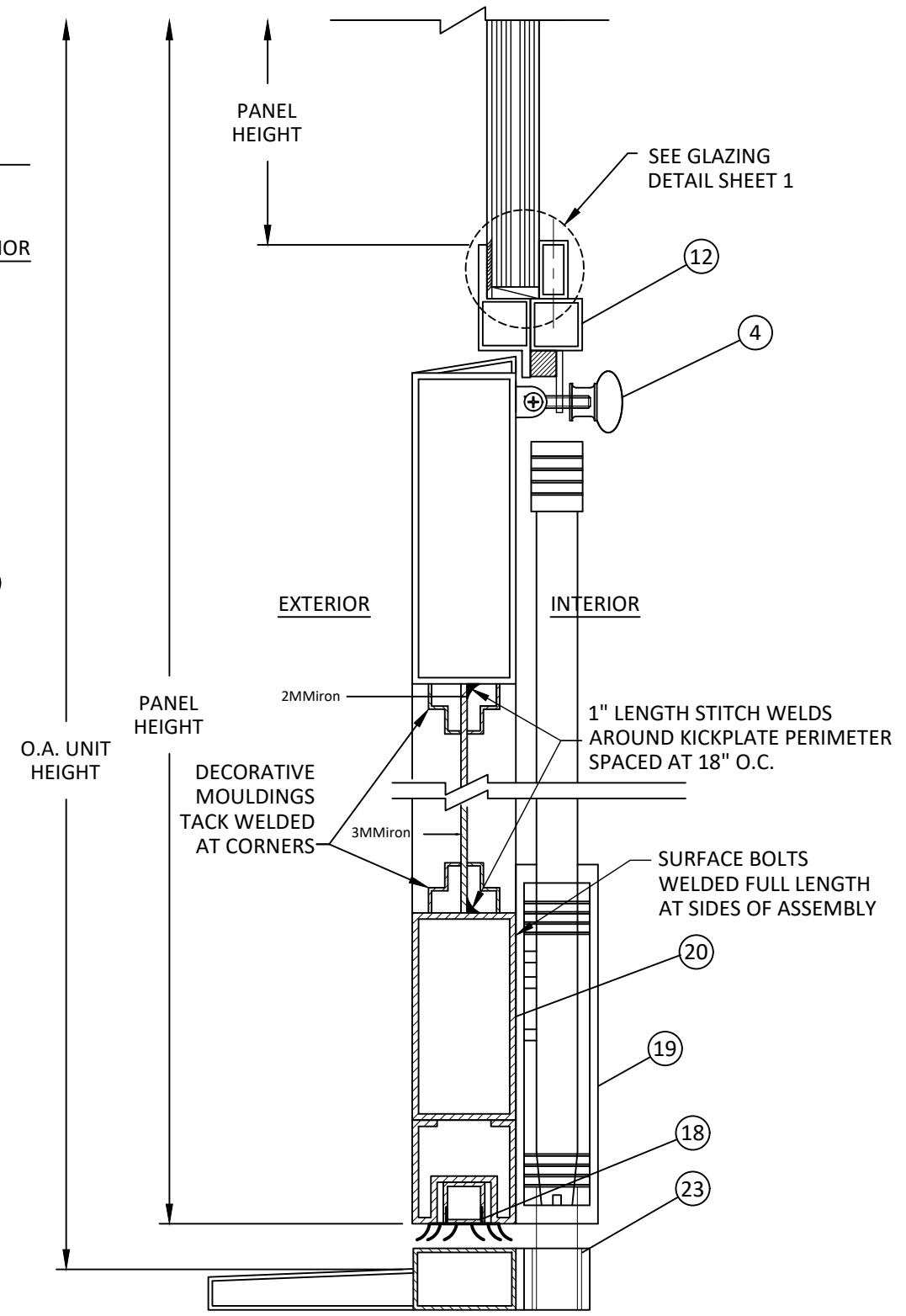
SCALE: **NTS**

DWG. #: **PCI014**

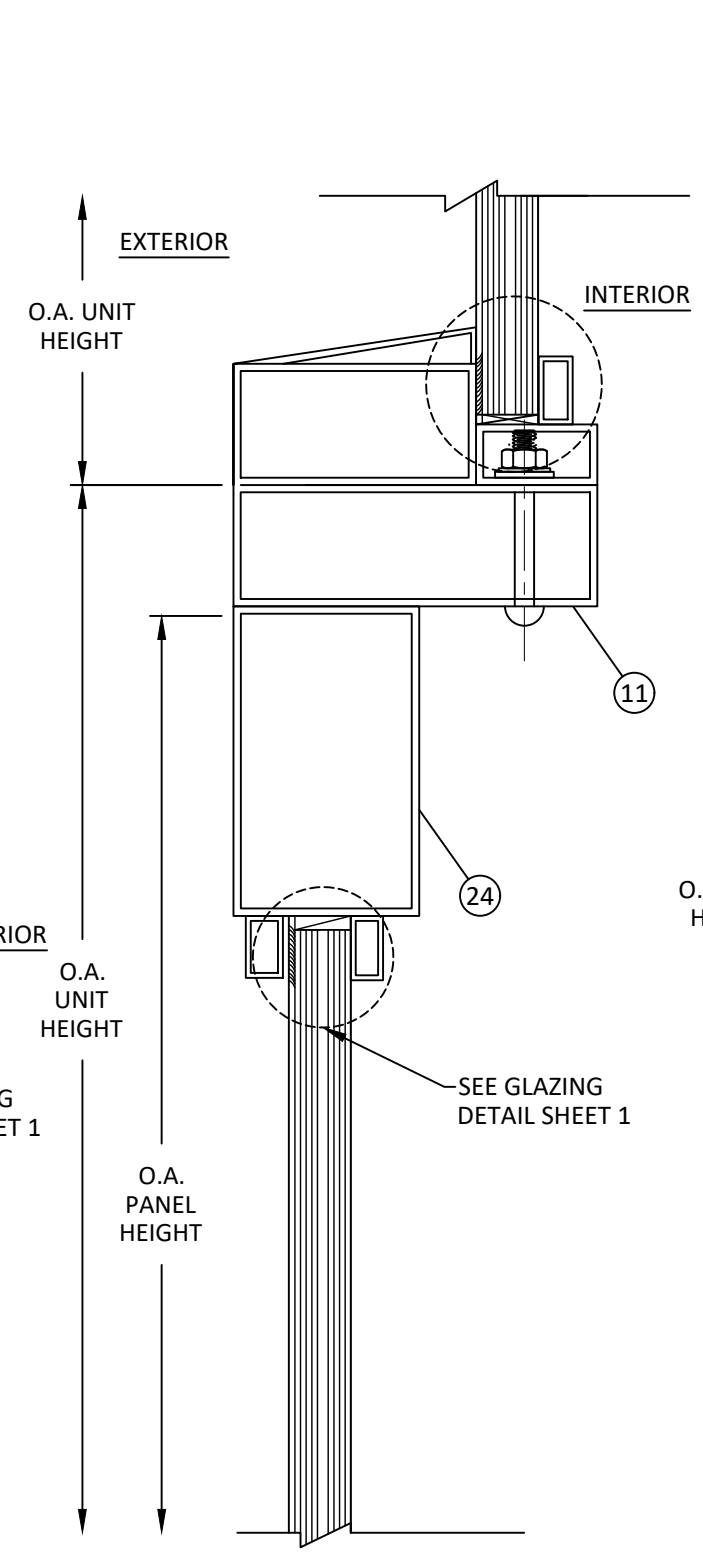
SHEET:

14

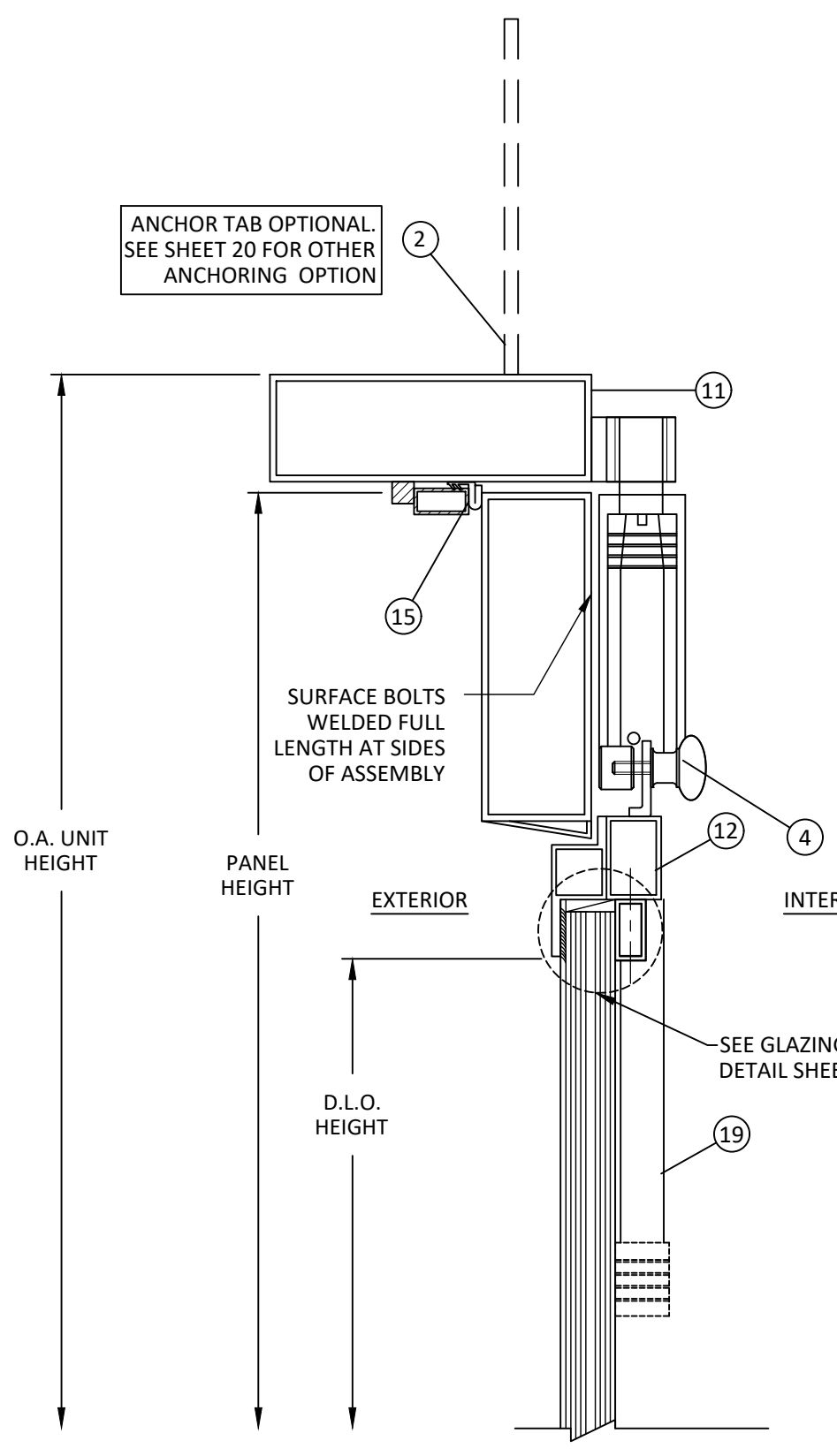
OF 23



C
14 VERTICAL SECTION
SILL DETAIL FOR IN-SWING DOOR



B
14 VERTICAL SECTION
TRANSOM-SIDELITE



A
14 VERTICAL SECTION
HEAD DETAIL FOR IN-SWING DOOR

8/19/2020 9:47 PM

c:\users\cruzy\onedrive - building drops - palm city\iron door\116749\wz3\impact\pci014.dwg



PALM CITY IRONWORKS
3160 KUTAK RD.
FORT MYERS, FL 33916

PH: (239) 691-8400 FX: (239)277-0061

TITLE: WROUGHT IRON DOORS
(INSWING/OUTSWING)
(WZ3)(IMPACT)
VERTICAL SECTIONS

PREPARED BY: BUILDING DROPS, INC.
398 E. DANIA BEACH BLVD., STE. 338
DANIA BEACH, FL 33004
PH: (954)399-8478
FAX: (954)744-4738
WEB: www.buildingdrops.com



REMARKS	BY	DATE

THE INSTALLATION DETAILS DESCRIBED HEREIN ARE GENERIC AND MAY NOT REFLECT ACTUAL CONDITIONS FOR A SPECIFIC SITE. IF SITE CONDITIONS CAUSE INSTALLATION TO DEVIATE FROM THE REQUIREMENTS DETAILED HEREIN, A LICENSED ENGINEER OR ARCHITECT SHALL PREPARE SITE SPECIFIC DOCUMENTS FOR USE WITH THIS DOCUMENT



HERMES F. NORERO
FLORIDA P. E. NO. 73778
398 E. DANIA BEACH BLVD., STE. 338
DANIA BEACH, FL 33004
FBPE CERT. OF AUTHORIZATION NO. 29578

FL16749

DATE: 03.21.19

DWG. BY: YC CHK. BY: HFN

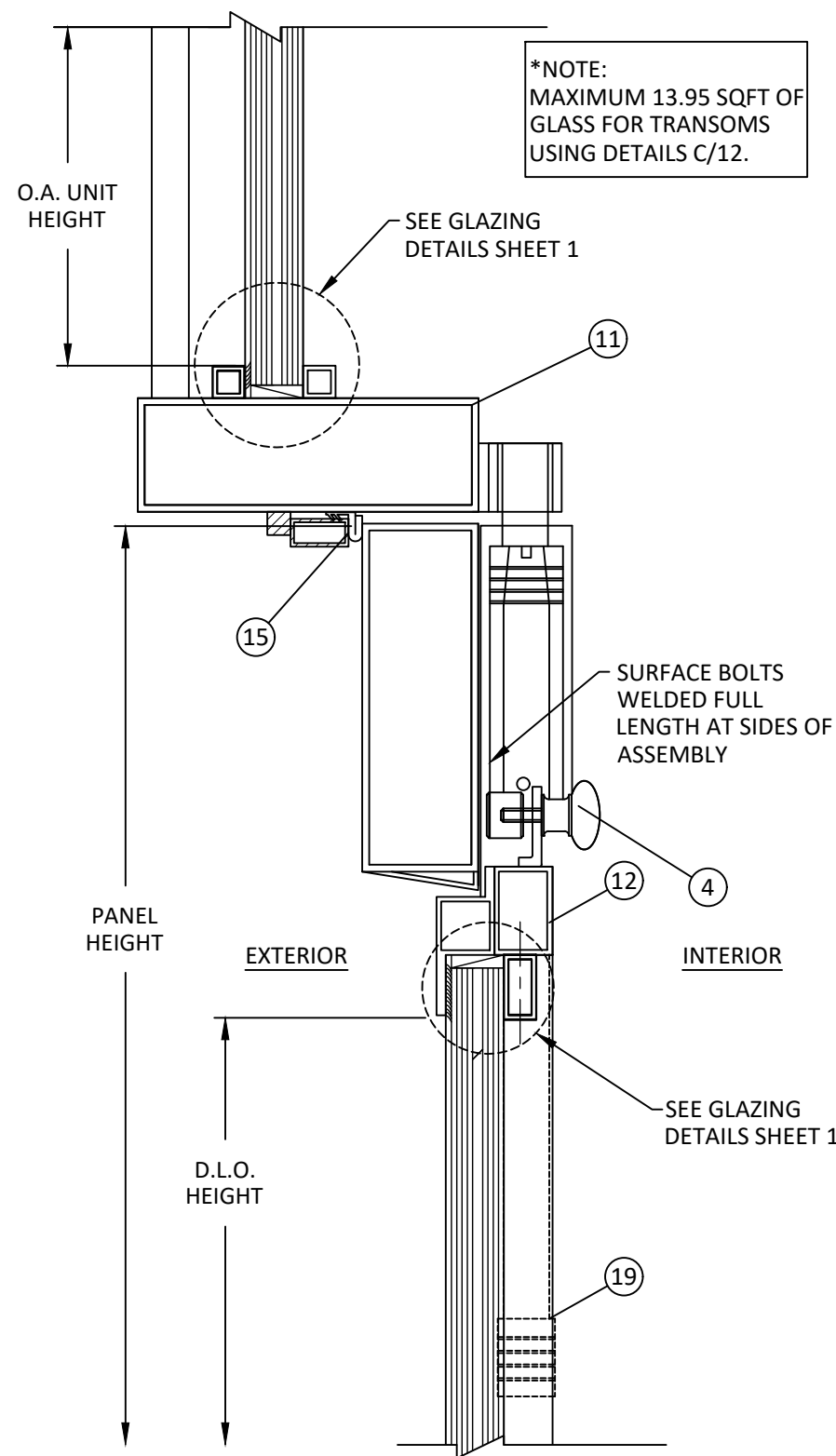
SCALE: NTS

DWG. #: PCI014

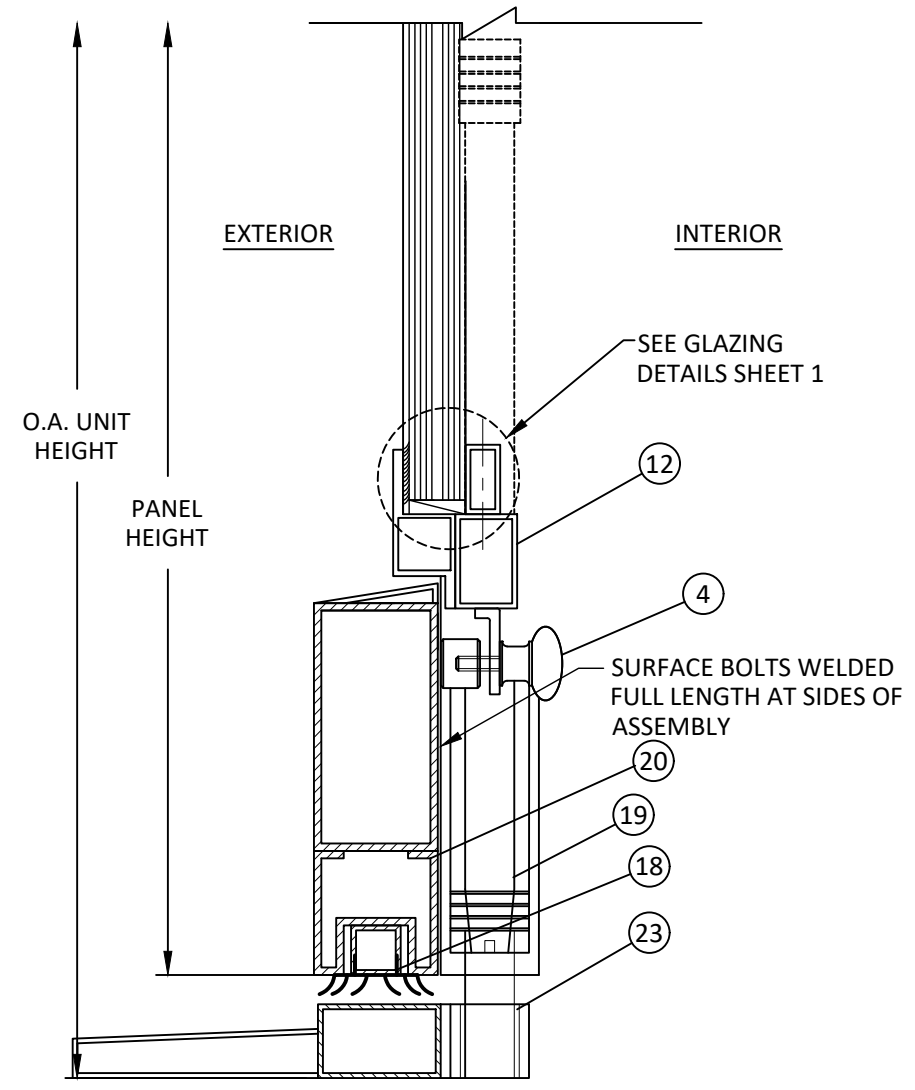
SHEET:

15

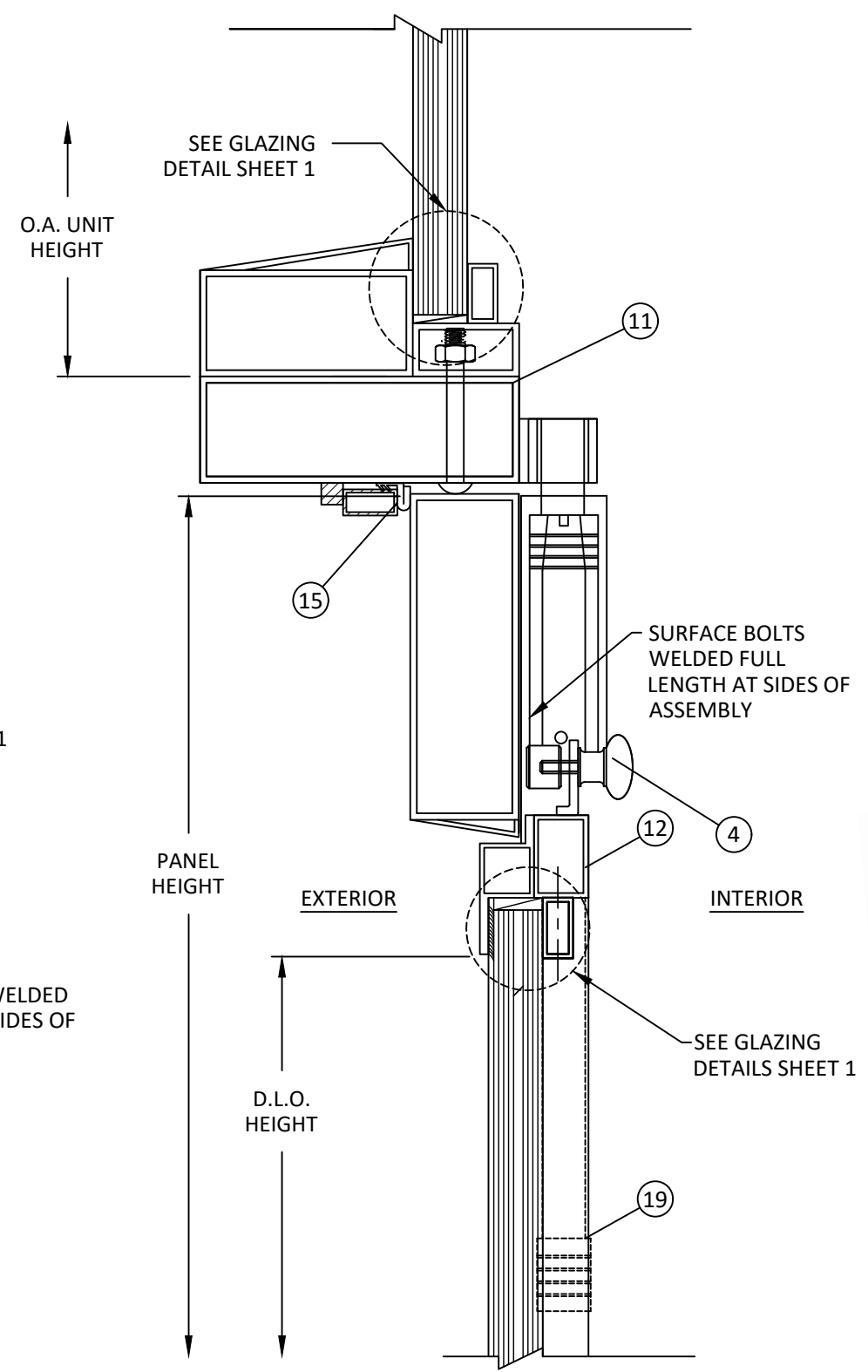
OF 23



A
15 VERTICAL SECTION
IN-SWING DOOR WITH TRANSOM



B
15 VERTICAL SECTION
IN-SWING DOOR THRESHOLD



C
15 VERTICAL SECTION
IN-SWING DOOR WITH TRANSOM

8/19/2020 9:47 PM
c:\users\cruza\onedrive - building drops - building drops, inc\palmcity\iron door\fl16749\wz3 impact\pci014.dwg



PALM CITY IRONWORKS
 3160 KUTAK RD.
 FORT MYERS, FL 33916

PH: (239) 691-8400 FX: (239)277-0061

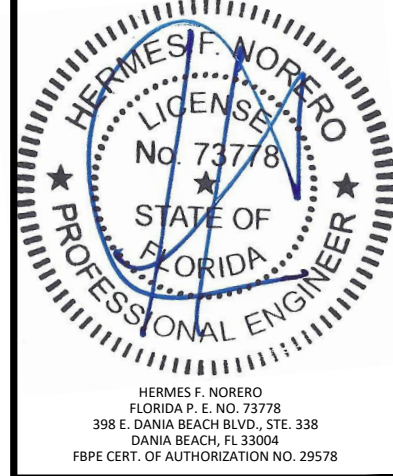
TITLE: **WROUGHT IRON DOORS
 (INSWING/OUTSWING)
 (WZ3)/(IMPACT)**

HORIZONTAL SECTIONS

PREPARED BY: **BUILDING DROPS, INC.**
 398 E. DANIA BEACH BLVD., STE. 338
 DANIA BEACH, FL 33004
 PH: (954)939-8478
 FAX: (954)744-4738
 WEB: www.buildingdrops.com

REMARKS	BY	DATE

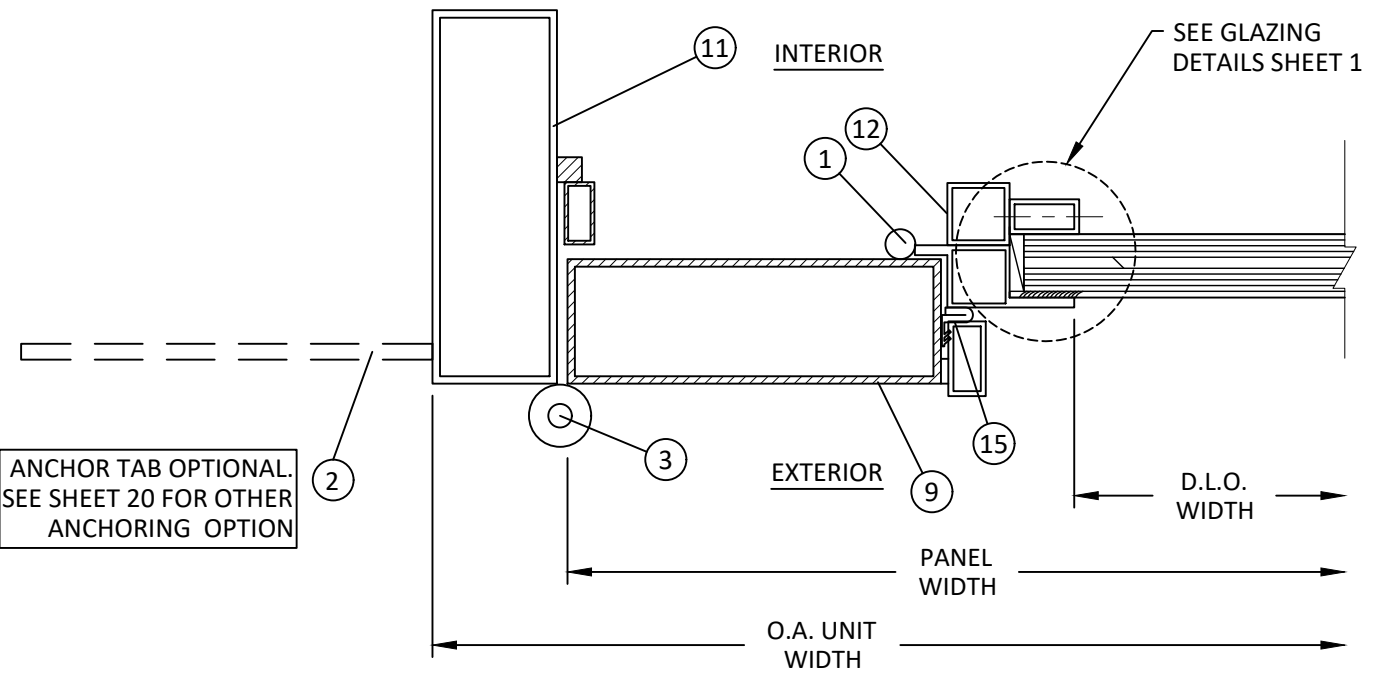
THE INSTALLATION DETAILS DESCRIBED HEREIN ARE GENERIC AND MAY NOT REFLECT ACTUAL CONDITIONS FOR A SPECIFIC SITE. IF SITE CONDITIONS CAUSE INSTALLATION TO DEVIATE FROM THE REQUIREMENTS DETAILED HEREIN, A LICENSED ENGINEER OR ARCHITECT SHALL PREPARE SITE SPECIFIC DOCUMENTS FOR USE WITH THIS DOCUMENT



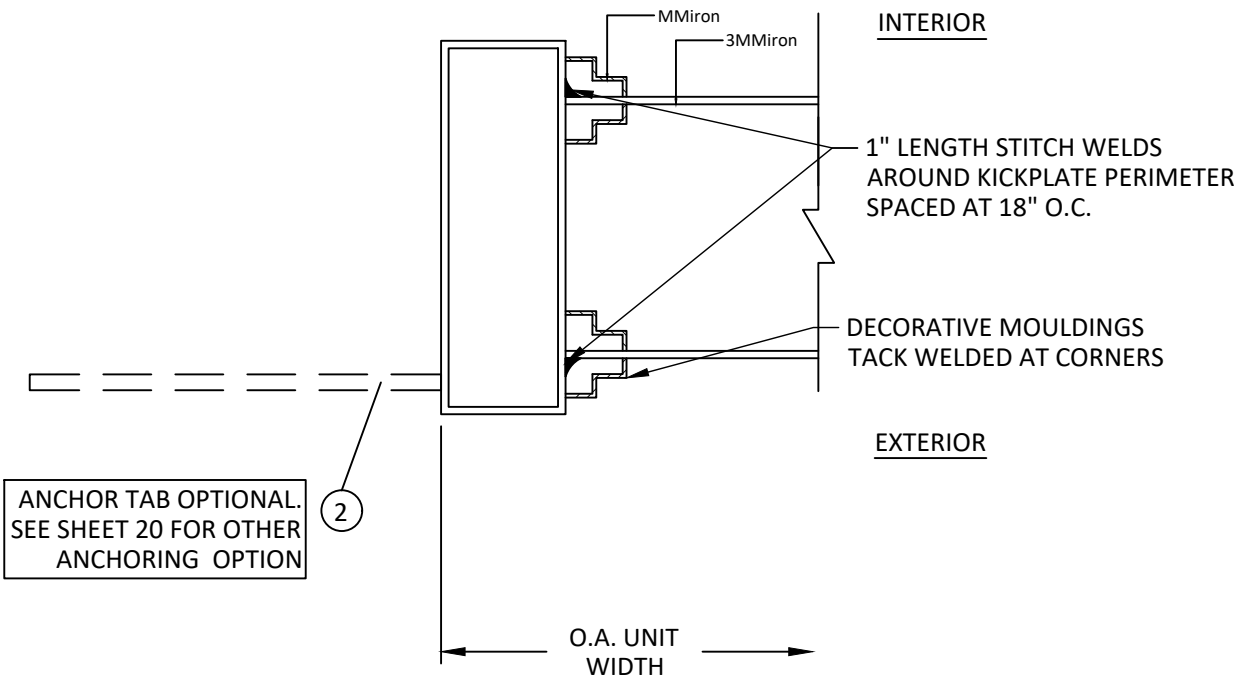
FL16749

DATE: **03.21.19**
 DWG. BY: **YC** | CHK. BY: **HFN**
 SCALE: **NTS**
 DWG. #: **PCI014**

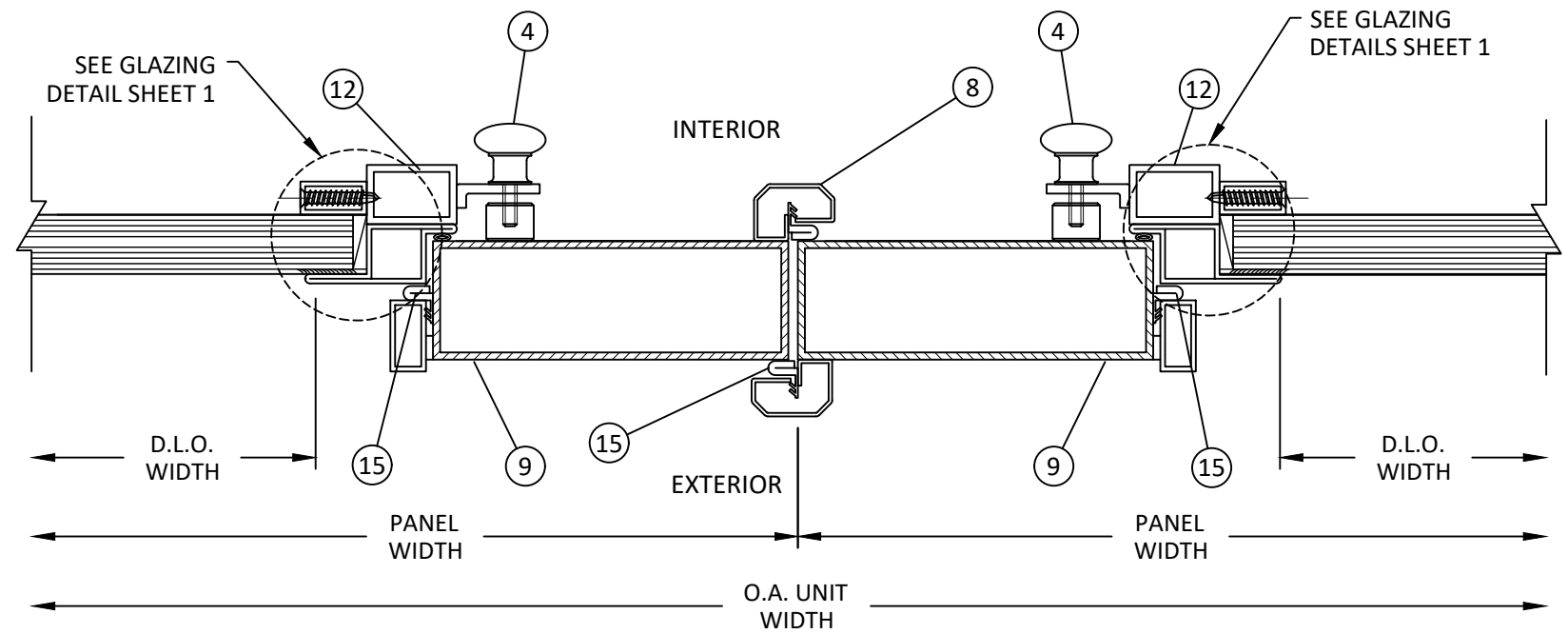
SHEET: **16**
 OF 23



A
16 HORIZONTAL SECTION
 JAMB DETAIL OUTSWING DOOR



B
16 HORIZONTAL SECTION
 JAMB DETAIL



C
16 HORIZONTAL SECTION
 ASTRAGAL-WELDED TAB
 TYPICAL FOR OUTSWING/INSWING CONFIGURATIONS

8/19/2020 9:47 PM
 c:\users\cruz\onedrive - building drops - building drops - iron door\fl16749\wz3 impact\pci014.dwg



PALM CITY IRONWORKS
3160 KUTAK RD.
FORT MYERS, FL 33916

PH: (239) 691-8400 FX: (239)277-0061

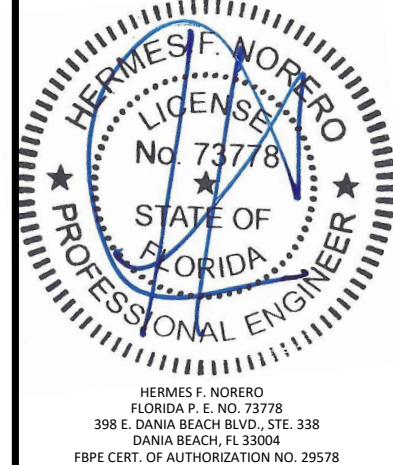
TITLE: WROUGHT IRON DOORS
(INSWING/OUTSWING)
(WZ3)(IMPACT)
HORIZONTAL SECTIONS

PREPARED BY:
BUILDING DROPS, INC.
398 E. DANIA BEACH BLVD., STE. 338
DANIA BEACH, FL 33004
PH: (954)399-8478
FAX: (954)744-4738
WEB: www.buildingdrops.com



REMARKS	BY	DATE

THE INSTALLATION DETAILS DESCRIBED HEREIN ARE GENERIC AND MAY NOT REFLECT ACTUAL CONDITIONS FOR A SPECIFIC SITE. IF SITE CONDITIONS CAUSE INSTALLATION TO DEVIATE FROM THE REQUIREMENTS DETAILED HEREIN, A LICENSED ENGINEER OR ARCHITECT SHALL PREPARE SITE SPECIFIC DOCUMENTS FOR USE WITH THIS DOCUMENT



FL16749

DATE: 03.21.19

DWG. BY: YC CHK. BY: HFN

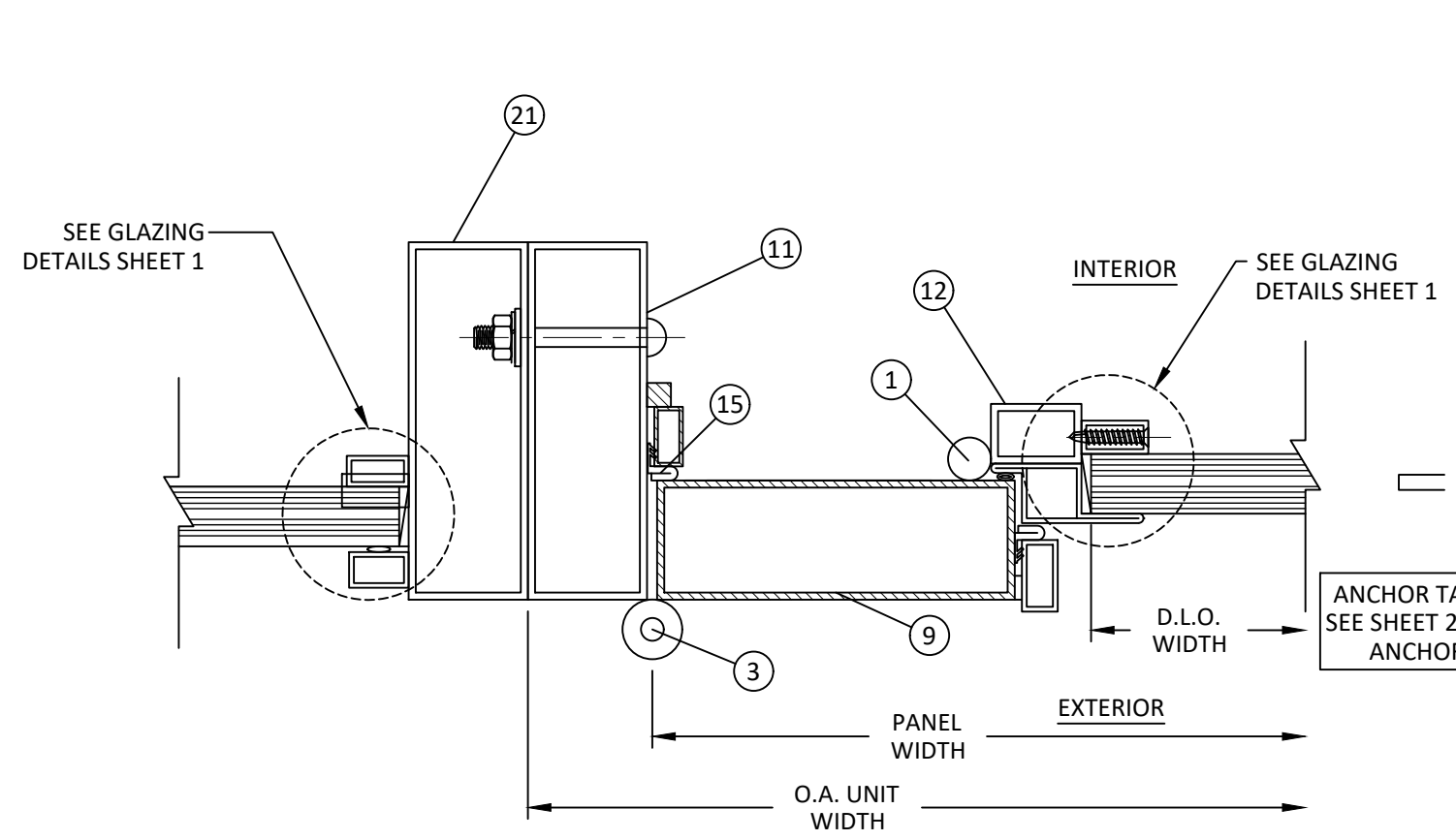
SCALE: NTS

DWG. #: PCI014

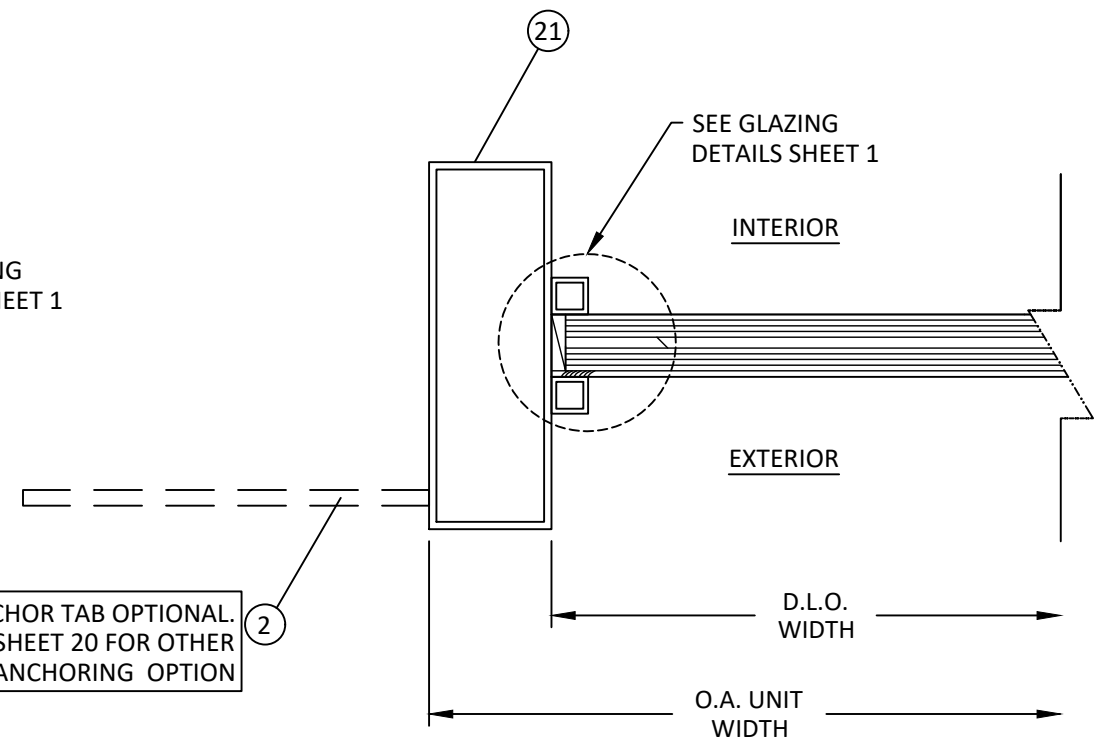
SHEET:

17

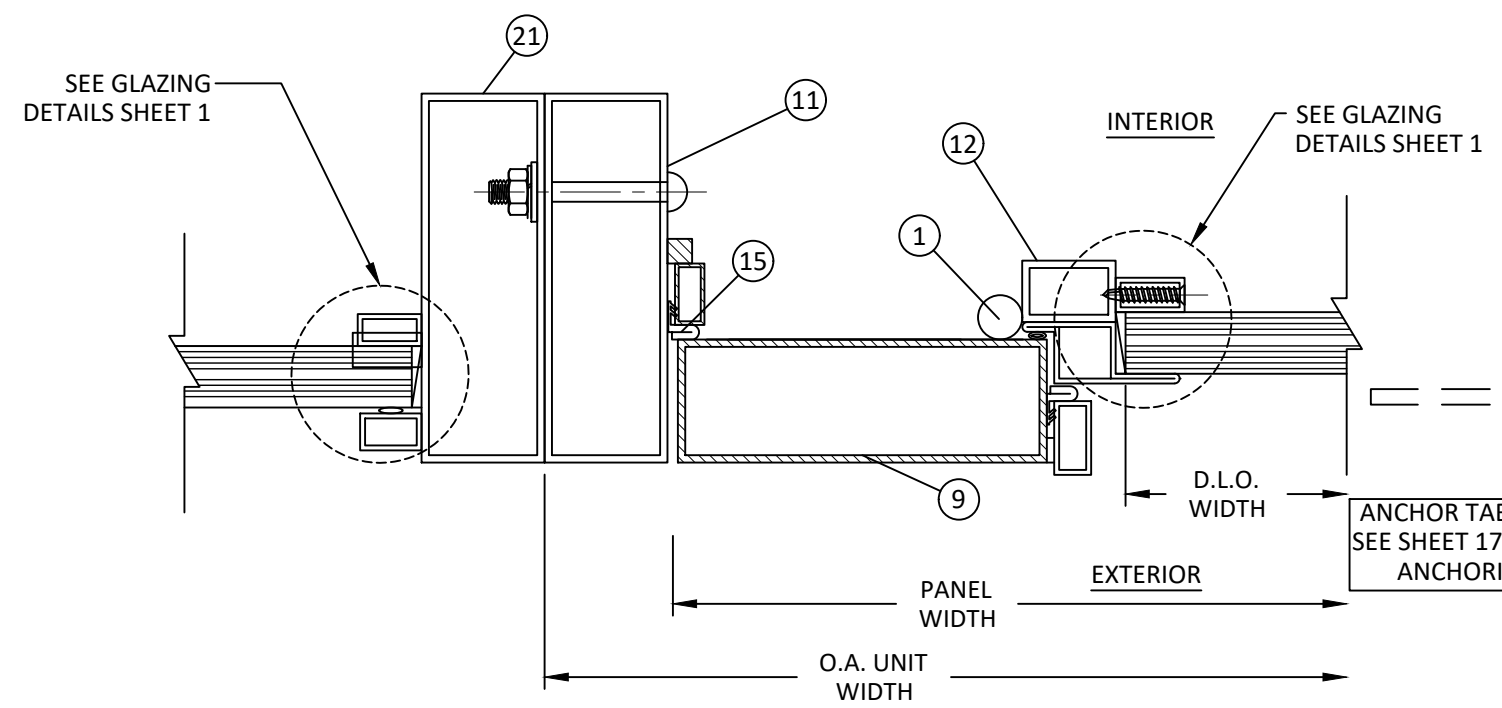
OF 23



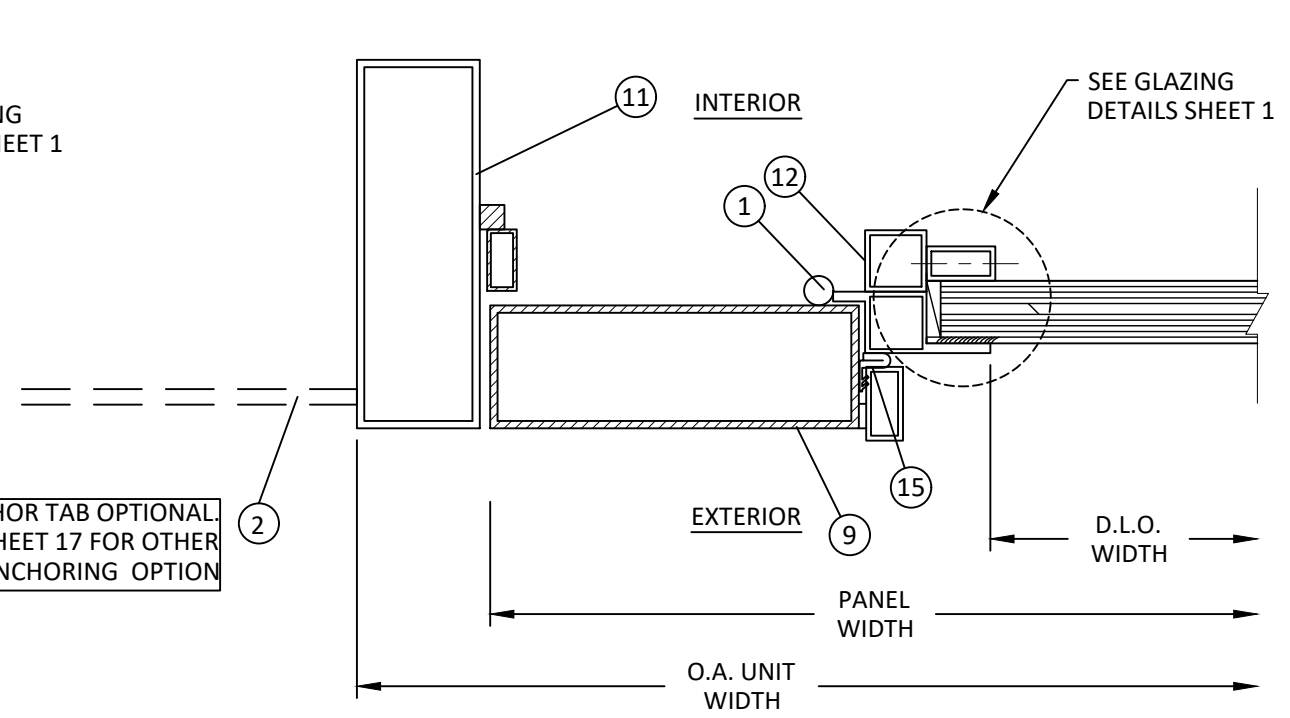
A
17 HORIZONTAL SECTION
JAMB DETAIL OUTSWING DOOR



B
17 HORIZONTAL SECTION
JAMB DETAIL (FIXED)



C
17 HORIZONTAL SECTION
LOCK TO JAMB DETAIL OUTSWING DOOR (MULLION)



D
17 HORIZONTAL SECTION
LOCK TO JAMB DETAIL OUTSWING DOOR

8/19/2020 9:47 PM
c:\Users\cruzi\onedrive - building drops, inc\palmcity\iron door\fl16749\wz3 impact\pci014.dwg



PALM CITY IRONWORKS
3160 KUTAK RD.
FORT MYERS, FL 33916

PH: (239) 691-8400 FX: (239)277-0061

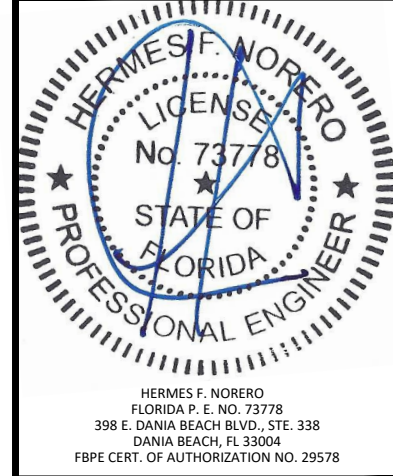
TITLE: WROUGHT IRON DOORS
(INSWING/OUTSWING)
(WZ3)(IMPACT)
HORIZONTAL SECTIONS

PREPARED BY:
BUILDING DROPS, INC.
398 E. DANIA BEACH BLVD., STE. 338
DANIA BEACH, FL 33004
PH: (954)399-8478
FAX: (954)744-4738
WEB: www.buildingdrops.com



REMARKS	BY	DATE

THE INSTALLATION DETAILS DESCRIBED HEREIN ARE GENERIC AND MAY NOT REFLECT ACTUAL CONDITIONS FOR A SPECIFIC SITE. IF SITE CONDITIONS CAUSE INSTALLATION TO DEVIATE FROM THE REQUIREMENTS DETAILED HEREIN, A LICENSED ENGINEER OR ARCHITECT SHALL PREPARE SITE SPECIFIC DOCUMENTS FOR USE WITH THIS DOCUMENT



FL16749

DATE: 03.21.19

DWG. BY: YC CHK. BY: HFN

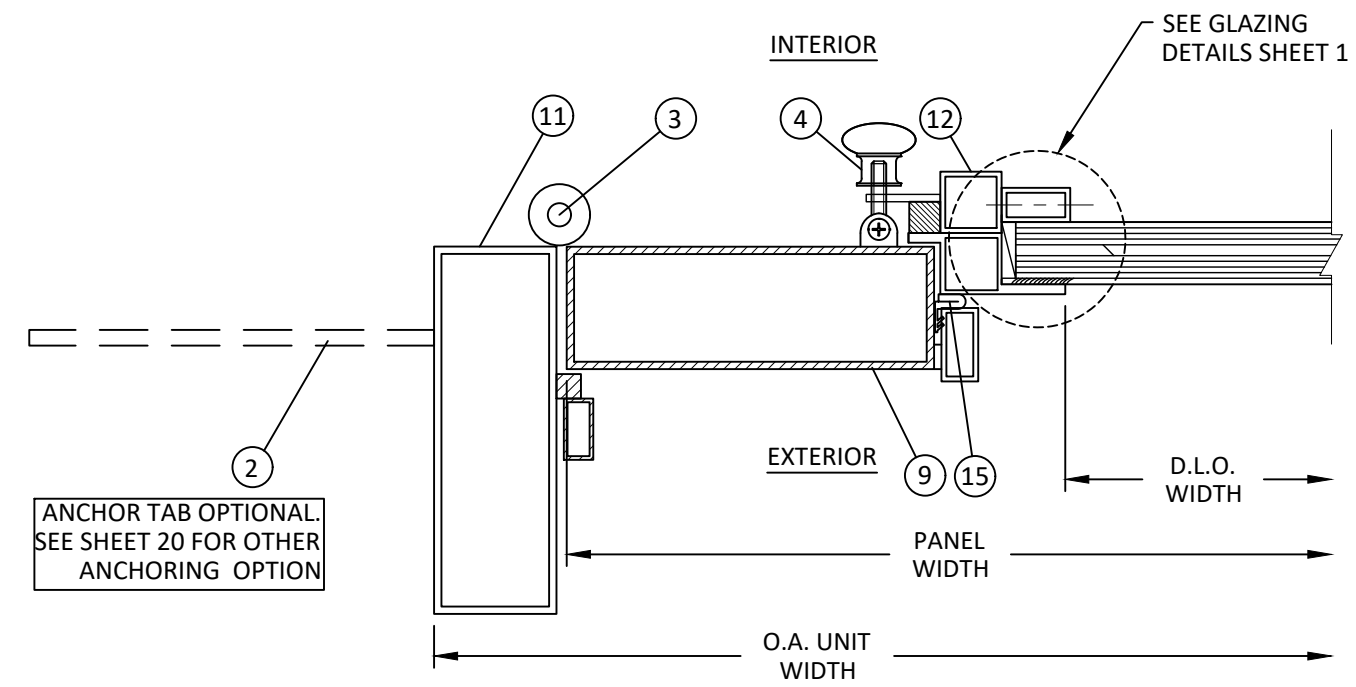
SCALE: NTS

DWG. #: PCI014

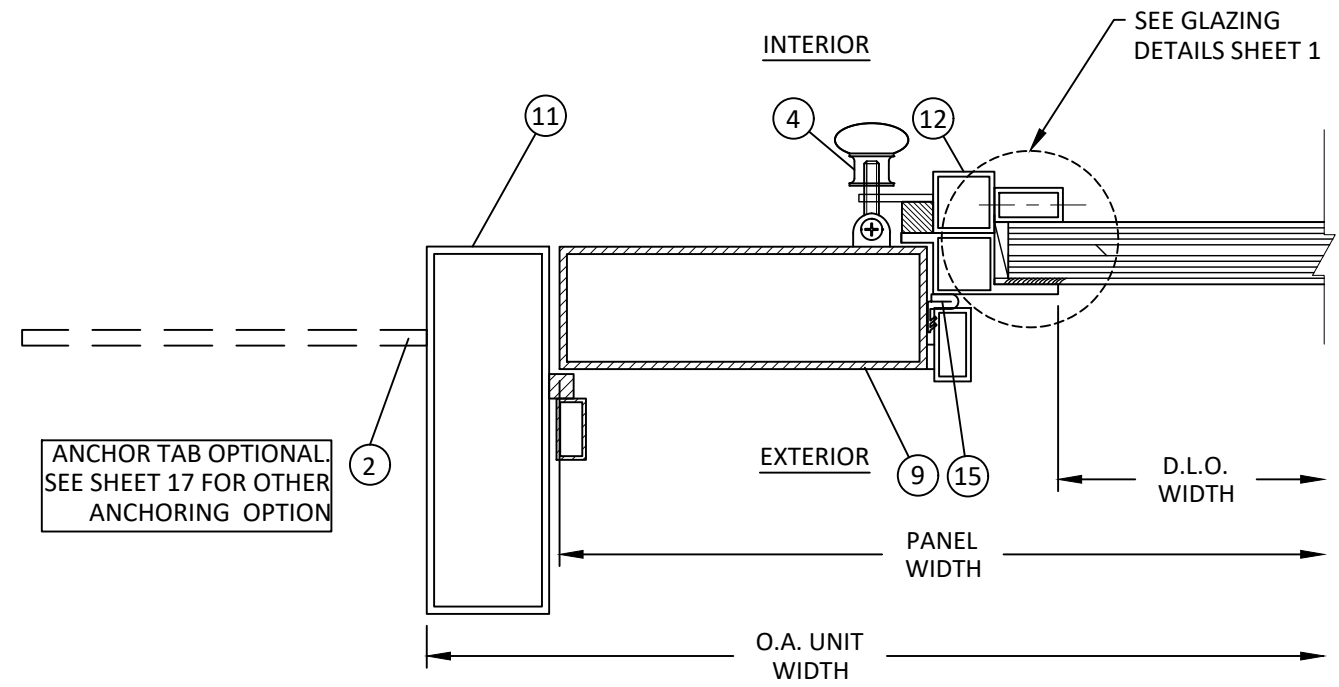
SHEET:

18

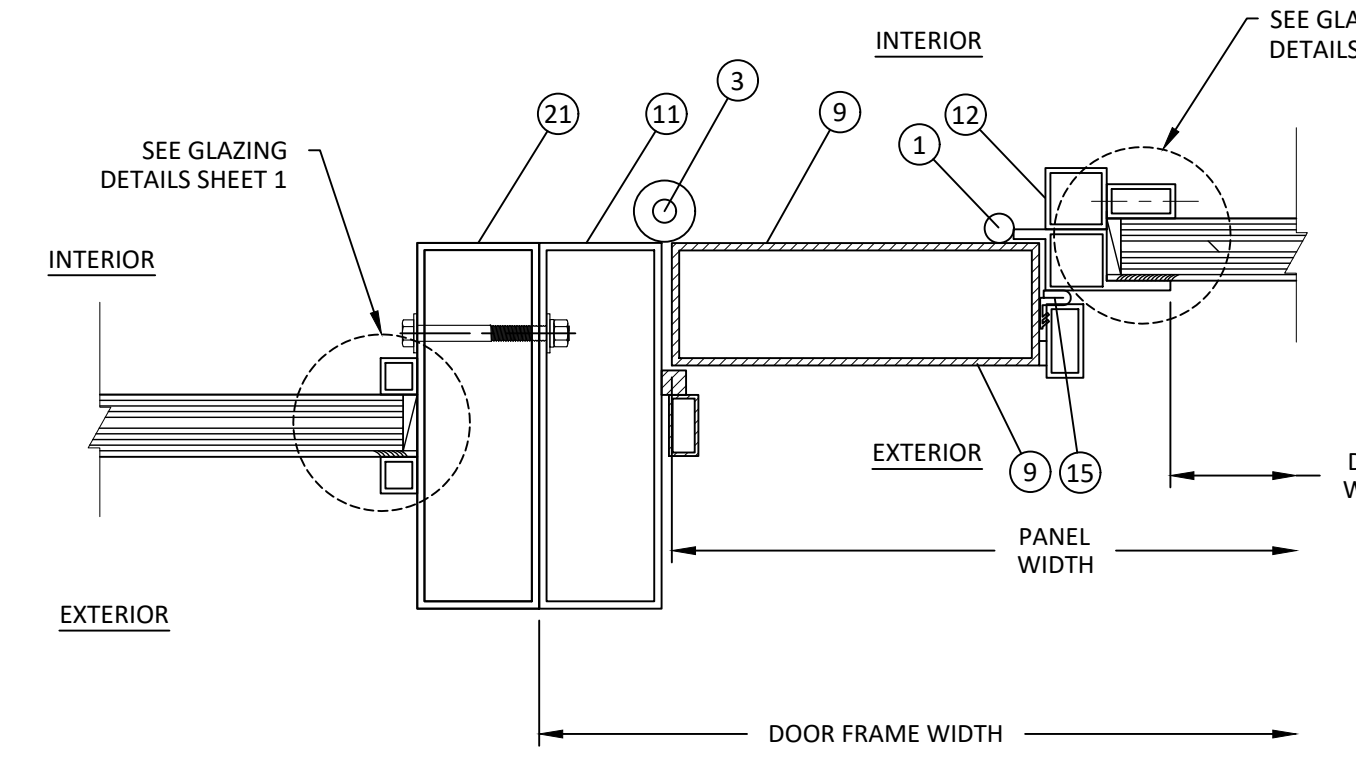
OF 23



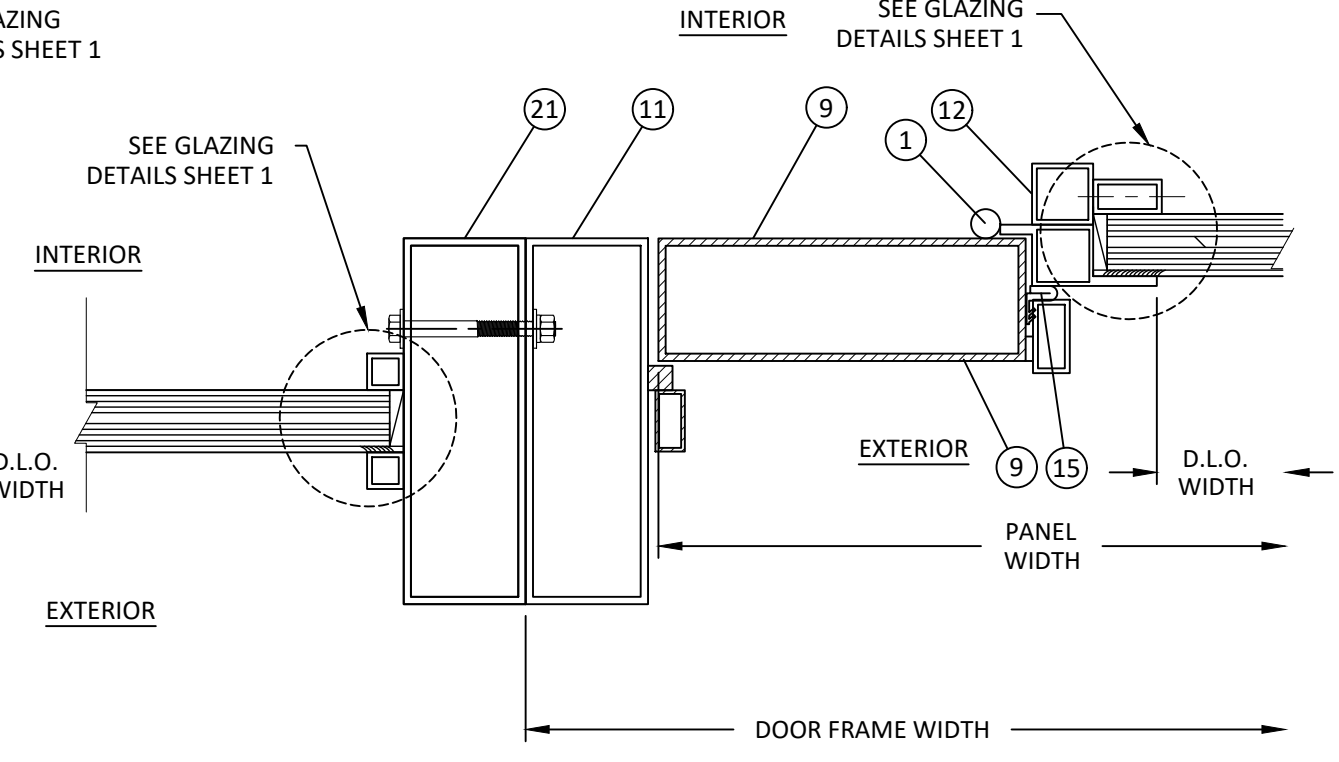
A
18 HORIZONTAL SECTION
JAMB DETAIL INSWING DOOR



B
18 HORIZONTAL SECTION
LOCK TO JAMB DETAIL INSWING DOOR



C
18 HORIZONTAL SECTION
JAMB DETAIL INSWING DOOR (MULLION)



D
18 HORIZONTAL SECTION
LOCK TO JAMB DETAIL INSWING DOOR (MULLION)

8/19/2020 9:48 PM
c:\users\cruzi\onedrive - building drops - building drops, inc\palmcity\iron door\fl16749\wz3.impact\pci014.dwg



**Palm City
IRONWORKS**
PALM CITY IRONWORKS
3160 KUTAK RD.
FORT MYERS, FL 33916

PH: (239) 691-8400 FX: (239)277-0061

TITLE: **WROUGHT IRON DOORS
(INSWING/OUTSWING)
(WZ3)/(IMPACT)**

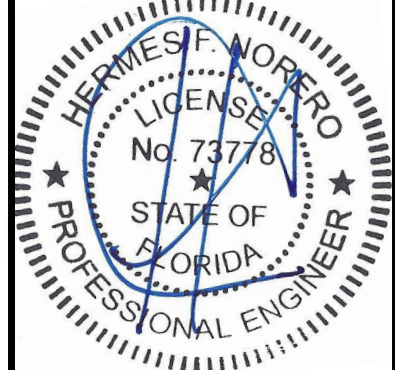
HORIZONTAL SECTIONS (MULLION)

PREPARED BY: **BUILDING DROPS, INC.**
398 E. DANIA BEACH BLVD., STE. 338
DANIA BEACH, FL 33004
PH: (954)399-8478
FAX: (954)744-4738
WEB: www.buildingdrops.com



REMARKS	BY	DATE

THE INSTALLATION DETAILS DESCRIBED HEREIN ARE GENERIC AND MAY NOT REFLECT ACTUAL CONDITIONS FOR A SPECIFIC SITE. IF SITE CONDITIONS CAUSE INSTALLATION TO DEVIATE FROM THE REQUIREMENTS DETAILED HEREIN, A LICENSED ENGINEER OR ARCHITECT SHALL PREPARE SITE SPECIFIC DOCUMENTS FOR USE WITH THIS DOCUMENT



HERMES F. NORERO
FLORIDA P. E. NO. 73778
398 E. DANIA BEACH BLVD., STE. 338
DANIA BEACH, FL 33004
FBPE CERT. OF AUTHORIZATION NO. 29578

FL16749

DATE: **03.21.19**

DWG. BY: **YC** | CHK. BY: **HFN**

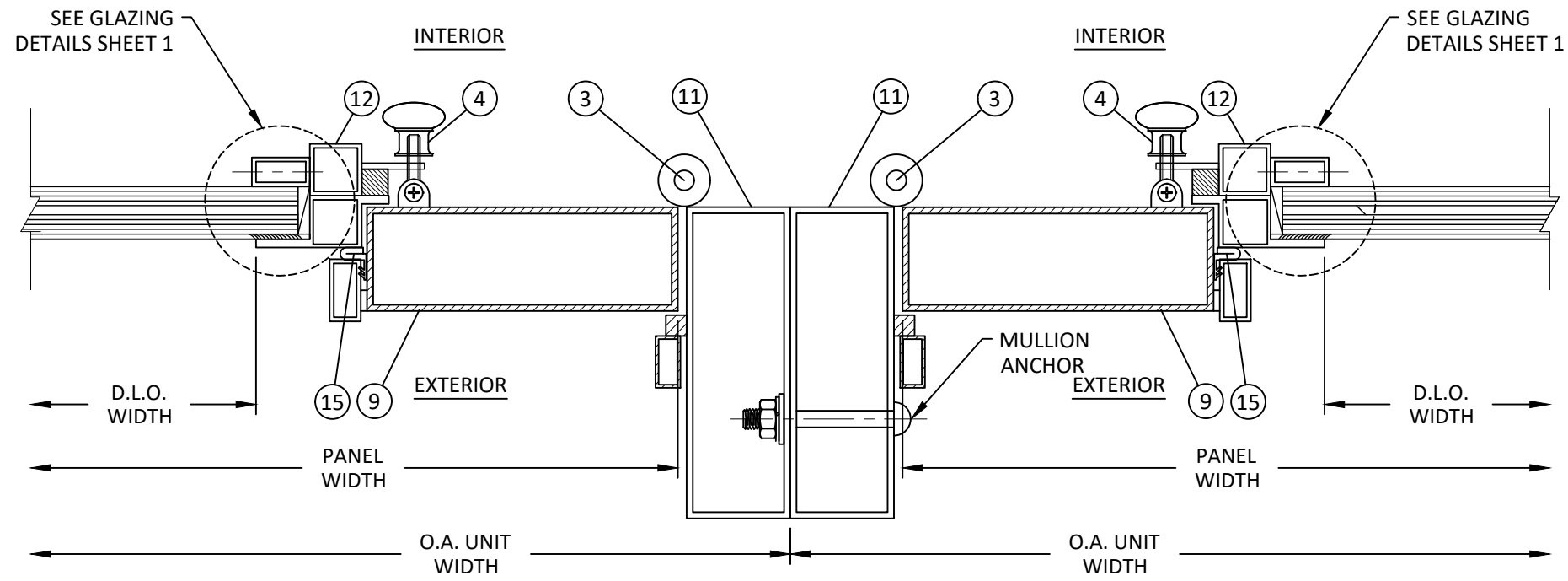
SCALE: **NTS**

DWG. #: **PCI014**

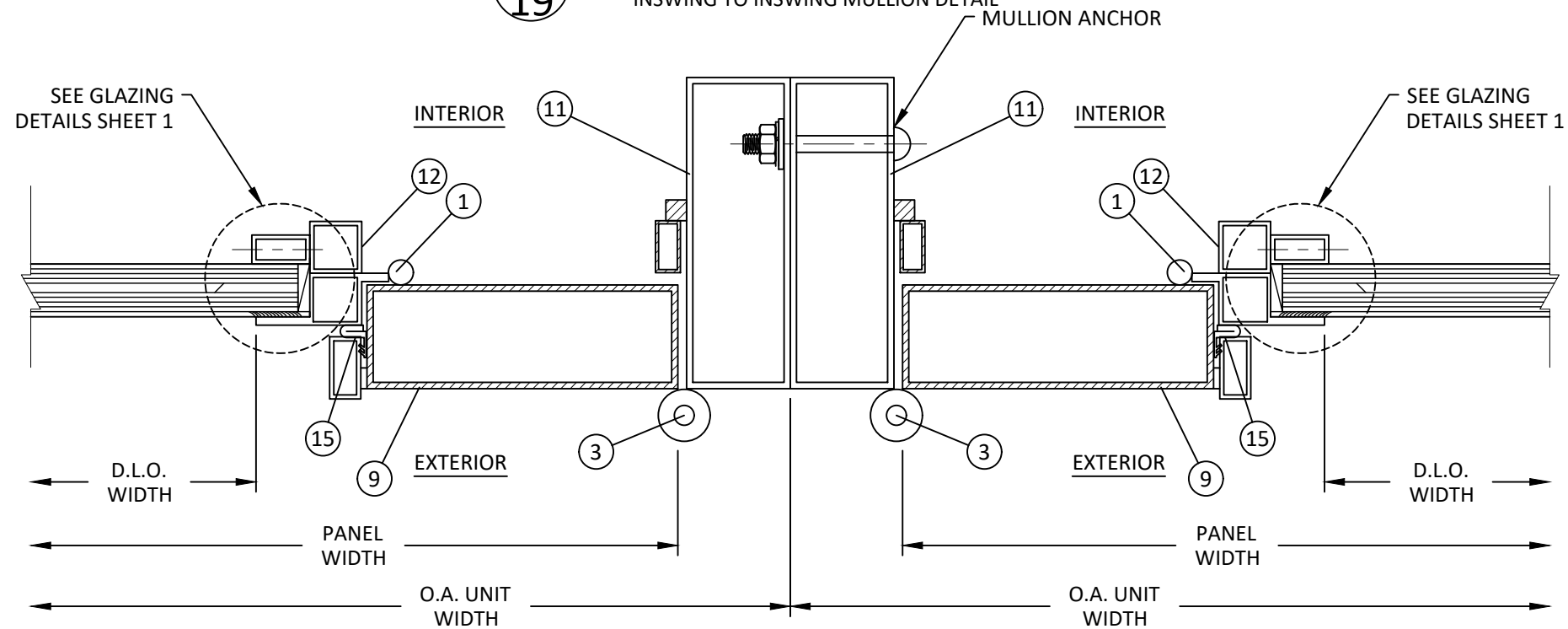
SHEET:

19

OF 23



A
19 **HORIZONTAL SECTION**
INSWING TO INSWING MULLION DETAIL

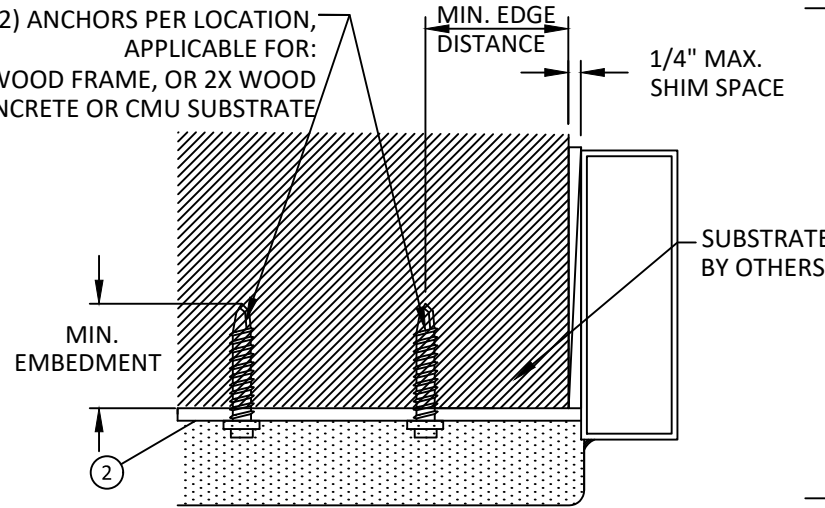


B
19 **HORIZONTAL SECTION**
OUTSWING TO OUTSWING MULLION DETAIL

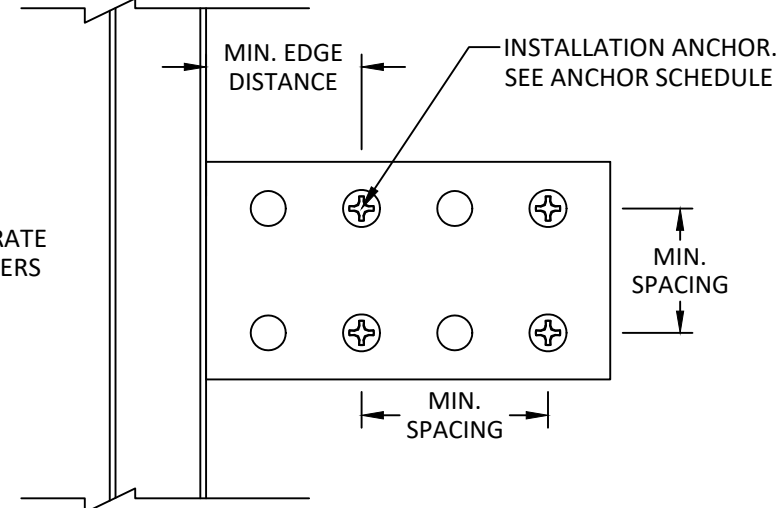
INSTALLATION NOTES:

- ONE (1) INSTALLATION ANCHOR IS REQUIRED AT EACH ANCHOR LOCATION SHOWN UNLESS OTHERWISE NOTED.
- THE NUMBER OF INSTALLATION ANCHORS DEPICTED IS THE MINIMUM NUMBER OF ANCHORS TO BE USED FOR PRODUCT INSTALLATION.
- INSTALL INDIVIDUAL INSTALLATION ANCHORS WITHIN A TOLERANCE OF $\pm 1/2$ INCH OF THE DEPICTED LOCATION IN THE ANCHOR LAYOUT DETAIL (I.E., WITHOUT CONSIDERATION OF TOLERANCES). TOLERANCES ARE NOT CUMULATIVE FROM ONE INSTALLATION ANCHOR TO THE NEXT.
- SHIM AS REQUIRED AT EACH INSTALLATION ANCHOR WITH LOAD BEARING SHIM(S). MAX. ALLOWABLE SHIM STACK TO BE 1/4 INCH. SHIM WHERE SPACE OF 1/16 INCH OR GREATER OCCURS. SHIM(S) SHALL BE CONSTRUCTED OF HIGH DENSITY PLASTIC OR BETTER.
- USE 3/8" WASHERS WITH ALL INSTALLATION FASTENERS.
- MINIMUM EMBEDMENT AND EDGE DISTANCE EXCLUDE WALL FINISHES, INCLUDING BUT NOT LIMITED TO STUCCO, FOAM, BRICK VENEER, AND SIDING.
- INSTALLATION ANCHORS AND ASSOCIATED HARDWARE MUST BE MADE OF CORROSION RESISTANT MATERIAL OR HAVE A CORROSION RESISTANT COATING.
- FOR HOLLOW BLOCK AND GROUT FILLED BLOCK, DO NOT INSTALL INSTALLATION ANCHORS INTO MORTAR JOINTS. EDGE DISTANCE IS MEASURED FROM FREE EDGE OF BLOCK OR EDGE OF MORTAR JOINT INTO FACE SHELL OF BLOCK.
- INSTALLATION ANCHORS SHALL BE INSTALLED IN ACCORDANCE WITH ANCHOR MANUFACTURER'S INSTALLATION INSTRUCTIONS, AND ANCHORS SHALL NOT BE USED IN SUBSTRATES WITH STRENGTHS LESS THAN THE MINIMUM STRENGTH SPECIFIED BY THE ANCHOR MANUFACTURER.
- INSTALLATION ANCHOR CAPACITIES FOR PRODUCTS HEREIN ARE BASED ON SUBSTRATE MATERIALS WITH THE FOLLOWING PROPERTIES:
 - WOOD - MINIMUM SPECIFIC GRAVITY OF 0.55.
 - CONCRETE - MINIMUM COMPRESSIVE STRENGTH OF 3000 PSI.
 - MASONRY - STRENGTH CONFORMANCE TO ASTM C-90.
 - STEEL - MIN. YIELD STRENGTH OF 33 KSI. MINIMUM WALL THICKNESS OF 49 MILS (18 GAUGE).

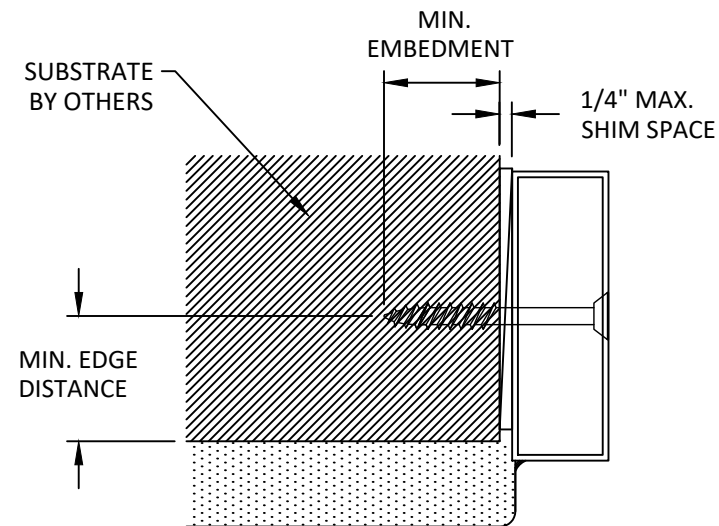
(2) ANCHORS PER LOCATION, APPLICABLE FOR:
(2) 2X WOOD FRAME, OR 2X WOOD BUCK WITH CONCRETE OR CMU SUBSTRATE



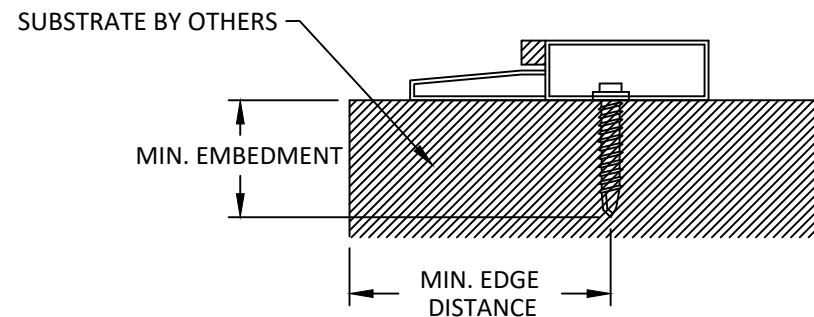
A
20 HORIZONTAL SECTION
THROUGH MOUNTING TAB INSTALLATION
SIMILAR DETAIL FOR HEAD



B
20 FRONT VIEW
THROUGH MOUNTING TAB INSTALLATION
TYPICAL LAYOUT(4 ANCHOR/STRAP)



C
20 HORIZONTAL SECTION
THROUGH FRAME INSTALLATION
SIMILAR DETAIL FOR HEAD



D
20 VERTICAL SECTION
THROUGH SILL INSTALLATION
AT SURFACE BOLT LOCATIONS

ANCHOR SCHEDULE

METHOD	SUBSTRATE	ANCHOR SCHEDULE	MIN EMBEDMENT	MIN. EDGE DISTANCE	MIN. SPACING
THROUGH MOUNTING TAB	WOOD: MIN. SG = 0.55	#14 WOOD SCREW	1.5"	0.75"	0.75"
	CONCRETE: MIN. F'C = 3000 PSI	1/4" ITW TAPCON	1.75"	2"	2"
	MASONRY: CMU per ASTM C90 MIN. 2000 PSI	1/4" ITW TAPCON	1.75"	2"	2"
THROUGH FRAME (HEAD AND JAMB)	WOOD: MIN. SG = 0.55	#14 WOOD SCREW	1.5"	2.5"	2.5"
	CONCRETE: MIN. F'C = 3000 PSI	1/4" ITW TAPCON	1.75"	3"	3"
	MASONRY: CMU per ASTM C90 MIN. 2000 PSI	3/16" ITW TAPCON FLAT HEAD	1"	2"	2"
	METAL: 18 GAUGE Steel, MIN. Fy = 33KSI	#10 PAN HEAD IN EXTERIOR CHANNEL	3 THREADS MIN PENETRATION BEYOND METAL	0.50"	0.50"
THROUGH SILL	CONCRETE: MIN. F'C = 3000 PSI	1/4" ITW TAPCON	1.75"	3"	3"



PALM CITY IRONWORKS
3160 KUTAK RD.
FORT MYERS, FL 33916

PH: (239) 691-8400 FX: (239)277-0061

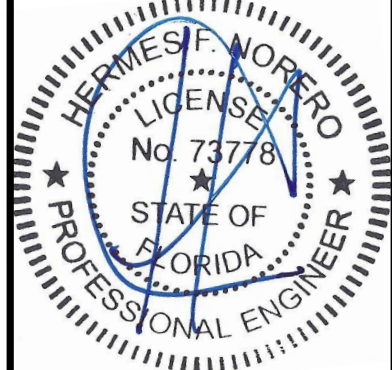
TITLE: WROUGHT IRON DOORS
(INSWING/OUTSWING)
(WZ3)/(IMPACT)
INSTALLATION
DETAILS & NOTES

PREPARED BY: BUILDING DROPS, INC.
398 E. DANIA BEACH BLVD., STE. 338
DANIA BEACH, FL 33004
PH: (954)939-8478
FAX: (954)744-4738
WEB: www.buildingdrops.com



REMARKS	BY	DATE

THE INSTALLATION DETAILS DESCRIBED HEREIN ARE GENERIC AND MAY NOT REFLECT ACTUAL CONDITIONS FOR A SPECIFIC SITE. IF SITE CONDITIONS CAUSE INSTALLATION TO DEVIATE FROM THE REQUIREMENTS DETAILED HEREIN, A LICENSED ENGINEER OR ARCHITECT SHALL PREPARE SITE SPECIFIC DOCUMENTS FOR USE WITH THIS DOCUMENT



HERMES F. NORERO
FLORIDA P. E. NO. 73778
398 E. DANIA BEACH BLVD., STE. 338
DANIA BEACH, FL 33004
FBPE CERT. OF AUTHORIZATION NO. 29578

FL16749

DATE: 03.21.19

DWG. BY: YC CHK. BY: HFN

SCALE: NTS

DWG. #: PCI014

SHEET:

20

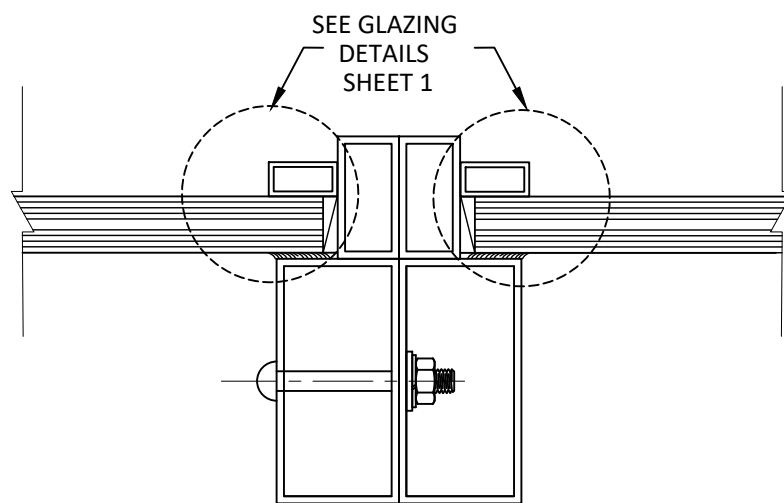
OF 23

BILL OF MATERIALS

ITEM	DESCRIPTION	MATERIAL	MANUFACTURER
1	GLASS PANEL HINGE	STEEL	NATURAL CHOICES IRONWARE CO., LTD.
2	MOUNTING TAB	STEEL	NATURAL CHOICES IRONWARE CO., LTD.
3	DOOR PANEL HINGE	STEEL	NATURAL CHOICES IRONWARE CO., LTD.
4	GLASS PANEL LATCH	STEEL & ZINC ALLOY	NATURAL CHOICES IRONWARE CO., LTD.
6	ROLLER CATCH	BRASS	HANGZHOU YOKING HARDWARE LIMITED
8	T-ASTRAGAL	STEEL	NATURAL CHOICES IRONWARE CO., LTD.
9	DOOR STILE W/ WEATHER STRIP ACCEPTER	STEEL	NATURAL CHOICES IRONWARE CO., LTD.
11	DOOR FRAME W/ WEATHER STRIP ACCEPTER	STEEL	NATURAL CHOICES IRONWARE CO., LTD.
12	GLASS PANEL FRAME	STEEL	NATURAL CHOICES IRONWARE CO., LTD.
14	STEEL GLAZING CAP	STEEL	NATURAL CHOICES IRONWARE CO., LTD.
15	WEATHERSTRIP	POLYETHYLENE FOAM	HEIBI JIANAN SEALS TECHNOLOGY CO., LTD.
16	GLASS PANEL LATCH RING	STEEL	NATURAL CHOICES IRONWARE CO., LTD.
17	OUTSWING THRESHOLD	STEEL	NATURAL CHOICES IRONWARE CO., LTD.
18	SWEEP	RUBBER	USA WORLDWIDE DOOR COMPONENTS (PINGHU) CO., LTD
19	SURFACE BOLT	STEEL	NATURAL CHOICES IRONWARE CO., LTD.
20	BOTTOM DOOR STILE W/ SWEEP ACCEPTER	STEEL	NATURAL CHOICES IRONWARE CO., LTD.
21	SIDELITE/TRANSOM FRAME	STEEL	NATURAL CHOICES IRONWARE CO., LTD.
22	TRANSOM TO SIDELITE FRAME	STEEL	NATURAL CHOICES IRONWARE CO., LTD.
23	OUTSWING THRESHOLD	STEEL	NATURAL CHOICES IRONWARE CO., LTD.
24	SIDELITE FRAME	STEEL	NATURAL CHOICES IRONWARE CO., LTD.

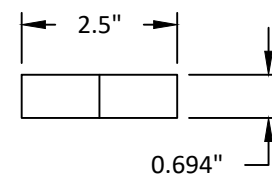
NOTE:

1. ALL STEEL COMPONENTS ARE Q235 GRADE STEEL (Fy min = 34.1 KSI, Fty min = 54.4 KSI)
2. ALL EXPOSED STEEL COMPONENTS ARE SHOP PRIMED.
3. ALL WELDED COMPONENTS ARE SHOP WELDED USING E70XX ELECTRODE

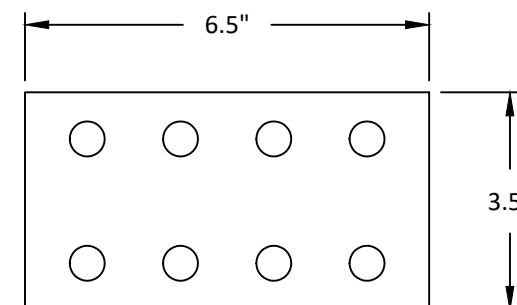


A
18
HORIZONTAL SECTION
MULLION AT TRANSOM

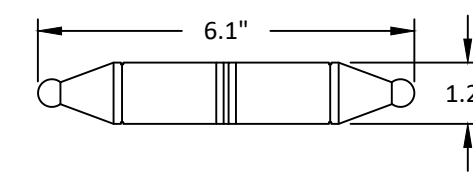
1 GLASS PANEL HINGE
STEEL



2 MOUNTING TAB
STEEL



3 DOOR PANEL HINGE
STEEL



PALM CITY IRONWORKS
3160 KUTAK RD.
FORT MYERS, FL 33916

PH: (239) 691-8400 FX: (239)277-0061

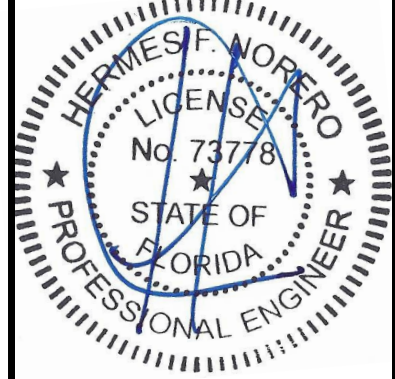
TITLE: WROUGHT IRON DOORS
(INSWING/OUTSWING)
(WZ3)(IMPACT)
COMPONENTS &
BILL OF MATERIALS

PREPARED BY: BUILDING DROPS, INC.
398 E. DANIA BEACH BLVD., STE. 338
DANIA BEACH, FL 33004
PH: (954) 399-8478
FAX: (954) 744-4738
WEB: www.buildingdrops.com



REMARKS	BY	DATE

THE INSTALLATION DETAILS DESCRIBED HEREIN ARE GENERIC AND MAY NOT REFLECT ACTUAL CONDITIONS FOR A SPECIFIC SITE. IF SITE CONDITIONS CAUSE INSTALLATION TO DEVIATE FROM THE REQUIREMENTS DETAILED HEREIN, A LICENSED ENGINEER OR ARCHITECT SHALL PREPARE SITE SPECIFIC DOCUMENTS FOR USE WITH THIS DOCUMENT



HERMES F. NORERO
FLORIDA P. E. NO. 73778
398 E. DANIA BEACH BLVD., STE. 338
DANIA BEACH, FL 33004
FBPE CERT. OF AUTHORIZATION NO. 29578

FL16749

DATE: 03.21.19

DWG. BY: YC
CHK. BY: HFN

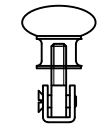
SCALE: NTS

DWG. #: PCI014

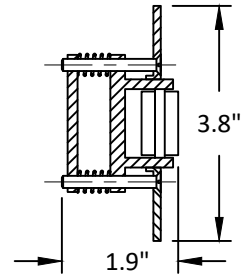
SHEET: 21

8/19/2020 9:48 PM
 c:\users\cruzi\onedrive - building drops, inc\palmcity\iron door\fl16749\wz3\impact\pci014.dwg

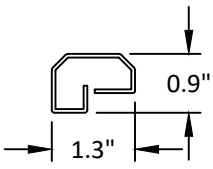
4 GLASS PANEL LATCH
 STEEL & ZINC ALLOY



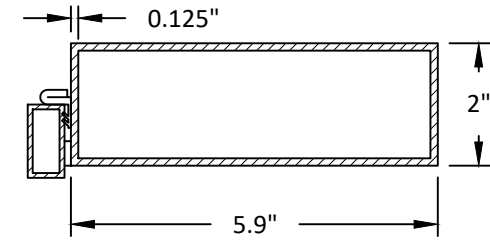
6 ROLLER CATCH
 BRASS



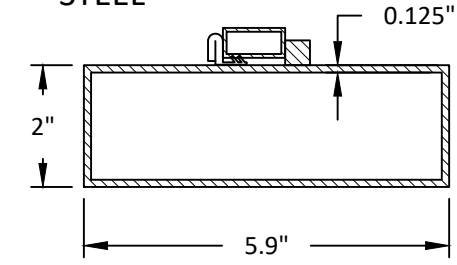
8 T-ASTRAGAL
 STEEL



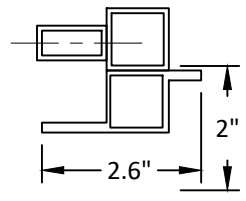
9 DOOR STILE W/ WEATHER STRIP ACCEPTER
 STEEL



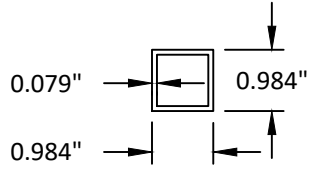
11 DOOR FRAME W/ WEATHER STRIP
 ACCEPTER
 STEEL



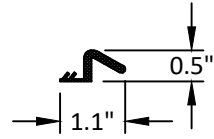
12 GLASS PANEL FRAME
 STEEL



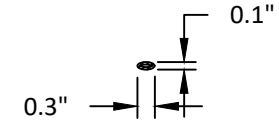
14 STEEL GLAZING CAP
 STEEL



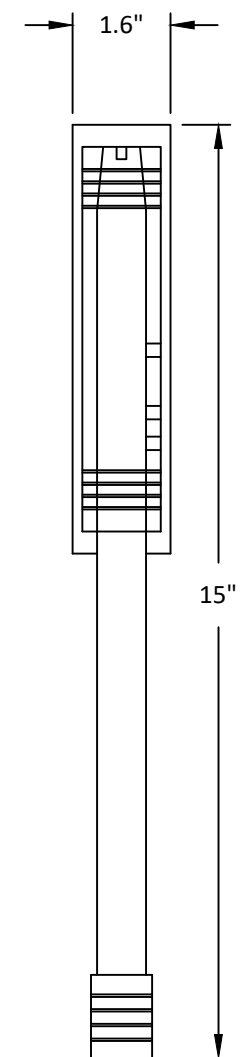
15 WEATHERSTRIP
 POLYETHYLENE FOAM



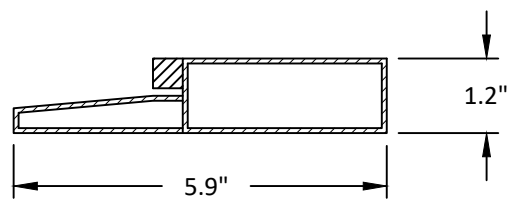
16 GLASS PANEL LATCH RING
 STEEL



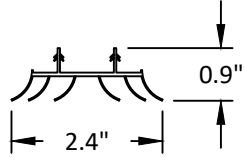
19 SURFACE BOLT
 STEEL



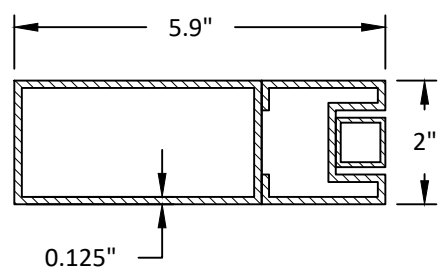
17 OUTSWING THRESHOLD
 STEEL



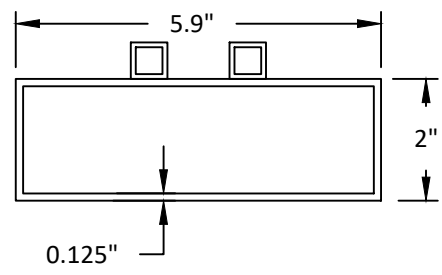
18 SWEEP
 RUBBER



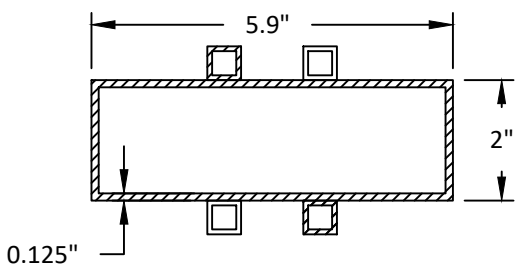
20 DOOR STILE W/ SWEEP ACCEPTER
 STEEL



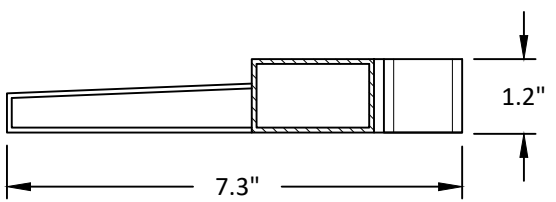
21 SIDELITE/TRANSOM FRAME
 STEEL



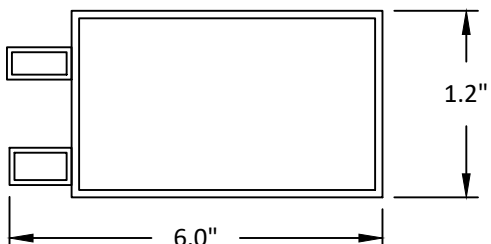
22 SIDELITE/TRANSOM FRAME
 STEEL



23 INSWING THRESHOLD
 STEEL



24 SIDELITE FRAME
 STEEL



Palm City IRONWORKS
 PALM CITY IRONWORKS
 3160 KUTAK RD.
 FORT MYERS, FL 33916
 PH: (239) 691-8400 FX: (239) 277-0061

TITLE: **WROUGHT IRON DOORS
 (INSWING/OUTSWING)
 (WZ3)(IMPACT)
 COMPONENTS
 (CONTINUED)**

PREPARED BY: **BUILDING DROPS, INC.**
 398 E. DANIA BEACH BLVD., STE. 338
 DANIA BEACH, FL 33004
 PH: (954) 399-8478
 FAX: (954) 744-4738
 WEB: www.buildingdrops.com

REMARKS	BY	DATE

THE INSTALLATION DETAILS DESCRIBED HEREIN ARE GENERIC AND MAY NOT REFLECT ACTUAL CONDITIONS FOR A SPECIFIC SITE. IF SITE CONDITIONS CAUSE INSTALLATION TO DEVIATE FROM THE REQUIREMENTS DETAILED HEREIN, A LICENSED ENGINEER OR ARCHITECT SHALL PREPARE SITE SPECIFIC DOCUMENTS FOR USE WITH THIS DOCUMENT

HERMES F. NORERO
 LICENSE
 No. 73778
 STATE OF
 FLORIDA
 PROFESSIONAL ENGINEER

HERMES F. NORERO
 FLORIDA P. E. NO. 73778
 398 E. DANIA BEACH BLVD., STE. 338
 DANIA BEACH, FL 33004
 FBPE CERT. OF AUTHORIZATION NO. 29578

FL16749

DATE: **03.21.19**

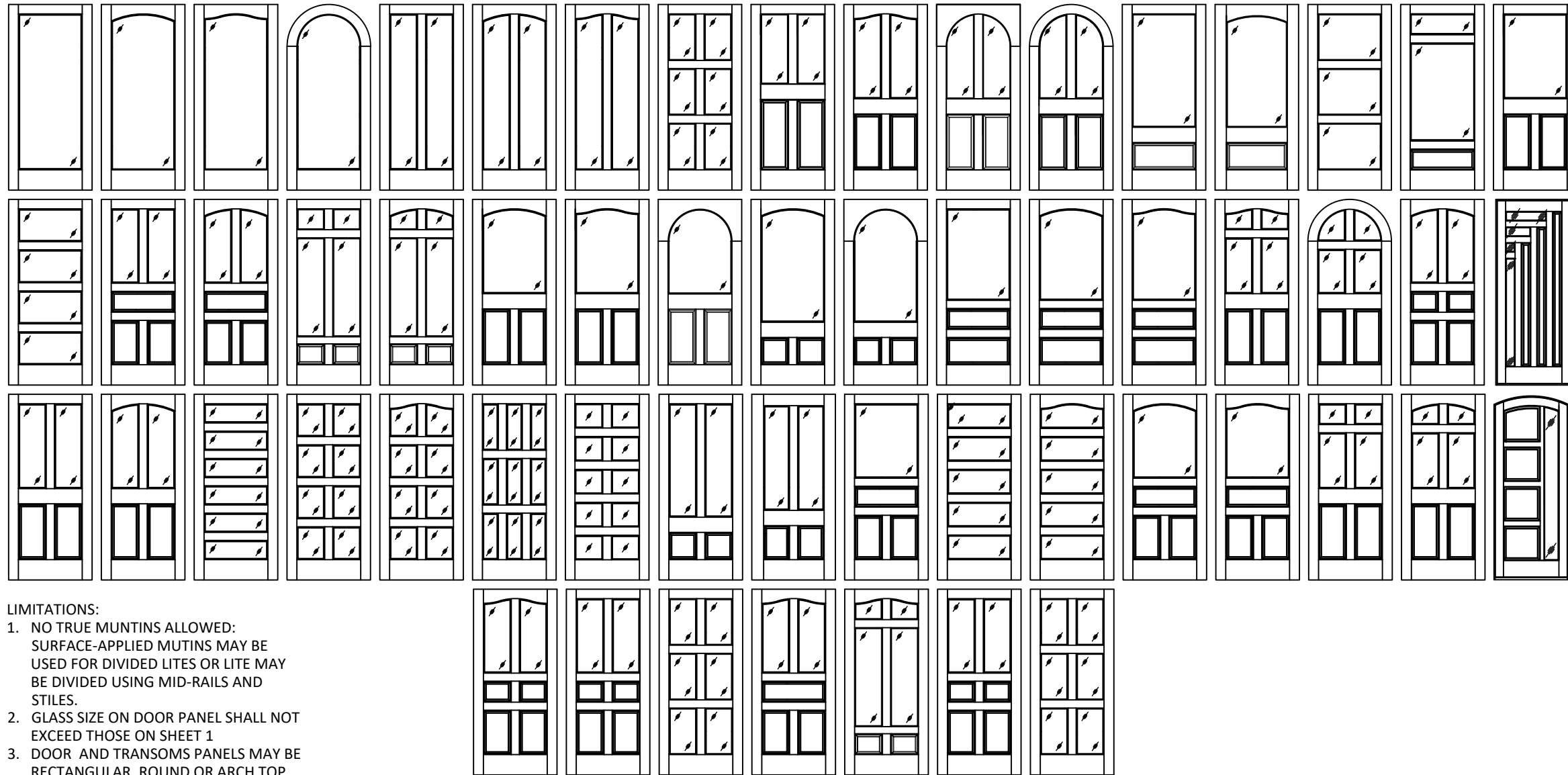
DWG. BY: **YC** | CHK. BY: **HFN**

SCALE: **NTS**

DWG. #: **PCI014**

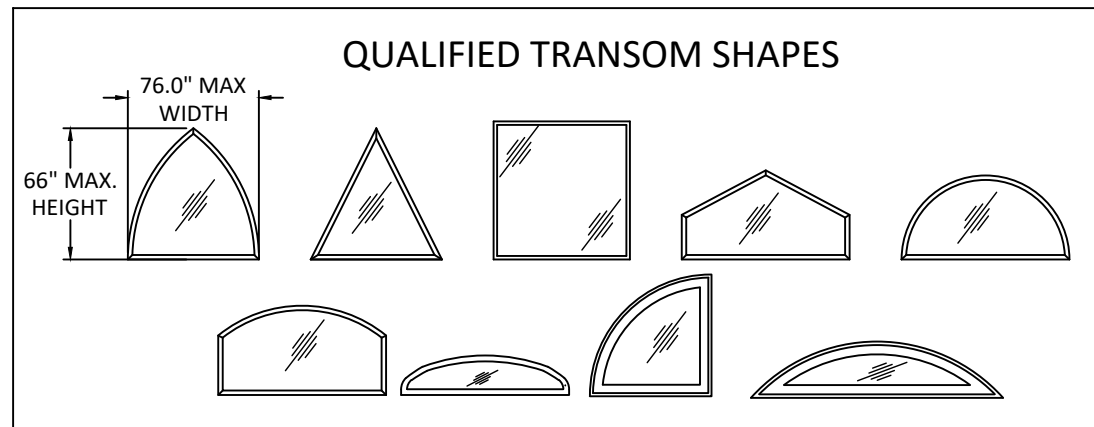
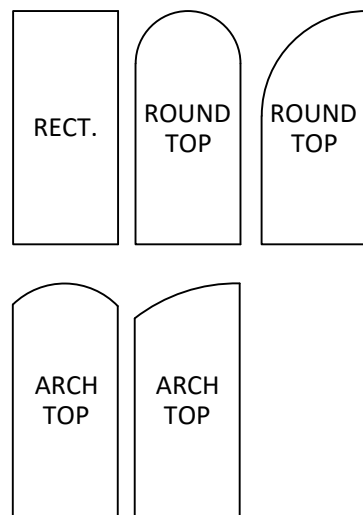
SHEET: **22**
 OF 23

QUALIFIED DOOR SHAPES



LIMITATIONS:

1. NO TRUE MUNTINS ALLOWED: SURFACE-APPLIED MUTINS MAY BE USED FOR DIVIDED LITES OR LITE MAY BE DIVIDED USING MID-RAILS AND STILES.
2. GLASS SIZE ON DOOR PANEL SHALL NOT EXCEED THOSE ON SHEET 1
3. DOOR AND TRANSOMS PANELS MAY BE RECTANGULAR, ROUND OR ARCH TOP.



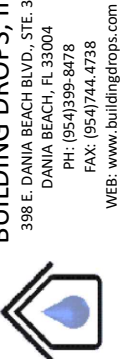
PALM CITY IRONWORKS
3160 KUTAK RD.
FORT MYERS, FL 33916

PH: (239) 691-8400 FX: (239)277-0061

TITLE: **WROUGHT IRON DOORS
(INSWING/OUTSWING)
(WZ3)/(IMPACT)**

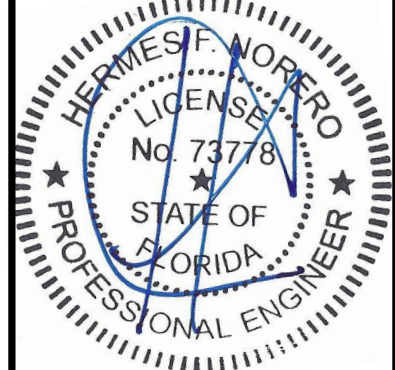
QUALIFIED CONFIGURATIONS

PREPARED BY: **BUILDING DROPS, INC.**
398 E. DANIA BEACH BLVD., STE. 338
DANIA BEACH, FL 33004



REMARKS	BY	DATE

THE INSTALLATION DETAILS DESCRIBED HEREIN ARE GENERIC AND MAY NOT REFLECT ACTUAL CONDITIONS FOR A SPECIFIC SITE. IF SITE CONDITIONS CAUSE INSTALLATION TO DEVIATE FROM THE REQUIREMENTS DETAILED HEREIN, A LICENSED ENGINEER OR ARCHITECT SHALL PREPARE SITE SPECIFIC DOCUMENTS FOR USE WITH THIS DOCUMENT



HERMES F. NORERO
FLORIDA P. E. NO. 73778
398 E. DANIA BEACH BLVD., STE. 338
DANIA BEACH, FL 33004
FBPE CERT. OF AUTHORIZATION NO. 29578

FL16749

DATE: **03.21.19**

DWG. BY: **YC** CHK. BY: **HFN**

SCALE: **NTS**

DWG. #: **PCI014**

SHEET:

23